

XINIX
DOOR SYSTEMS

20

20

MILLING PLANS **EXTENDED VERSION**

SINGLE DOORS

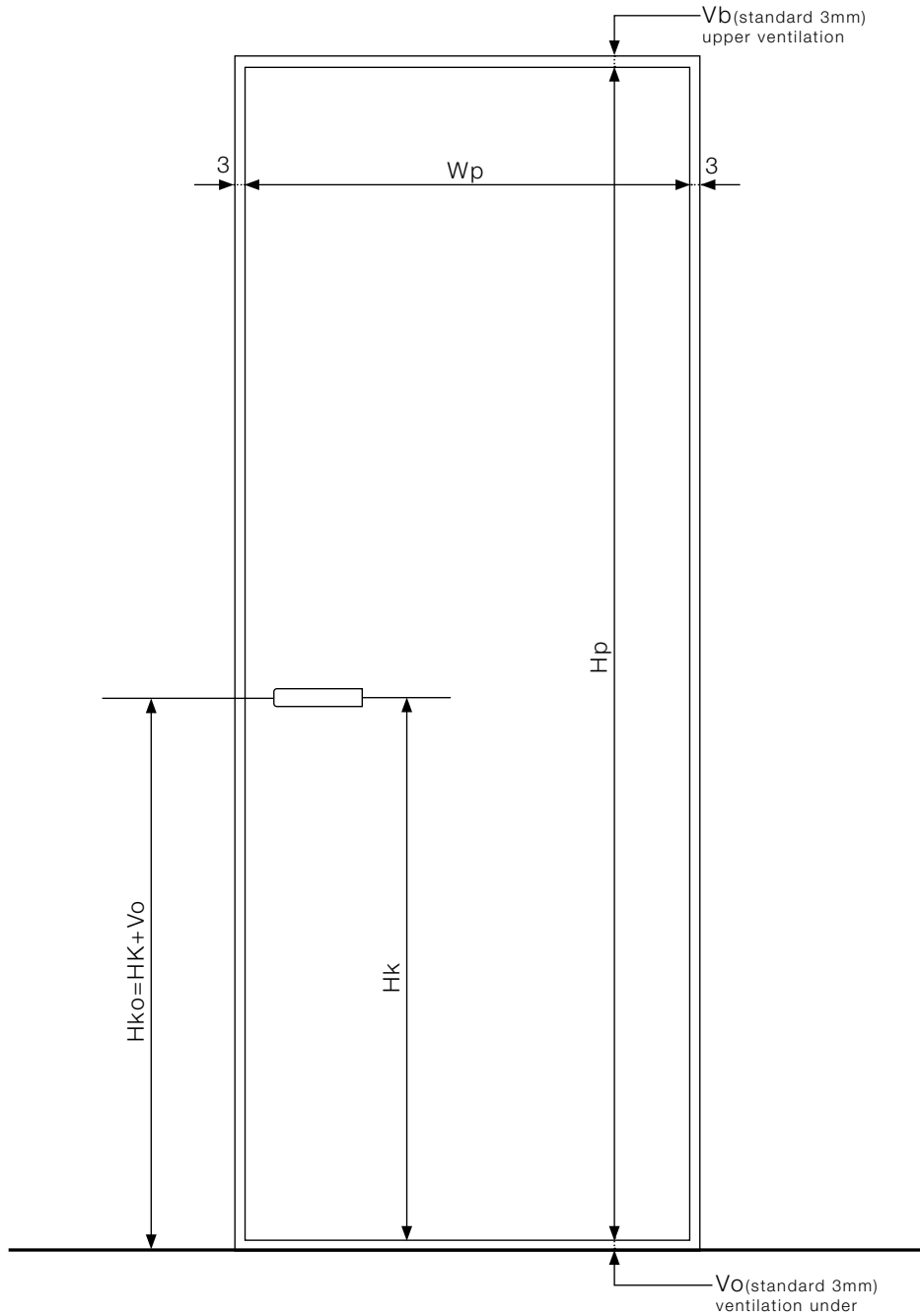
01	DOORS	P4
02	HINGES	P7
03	LOCKS	P16
04	DOOR HANDLES AND ACCESSORIES	P23
05	EXTRA	P32

DOUBLE DOORS

01	DOORS	P36
02	LOCKS	P39

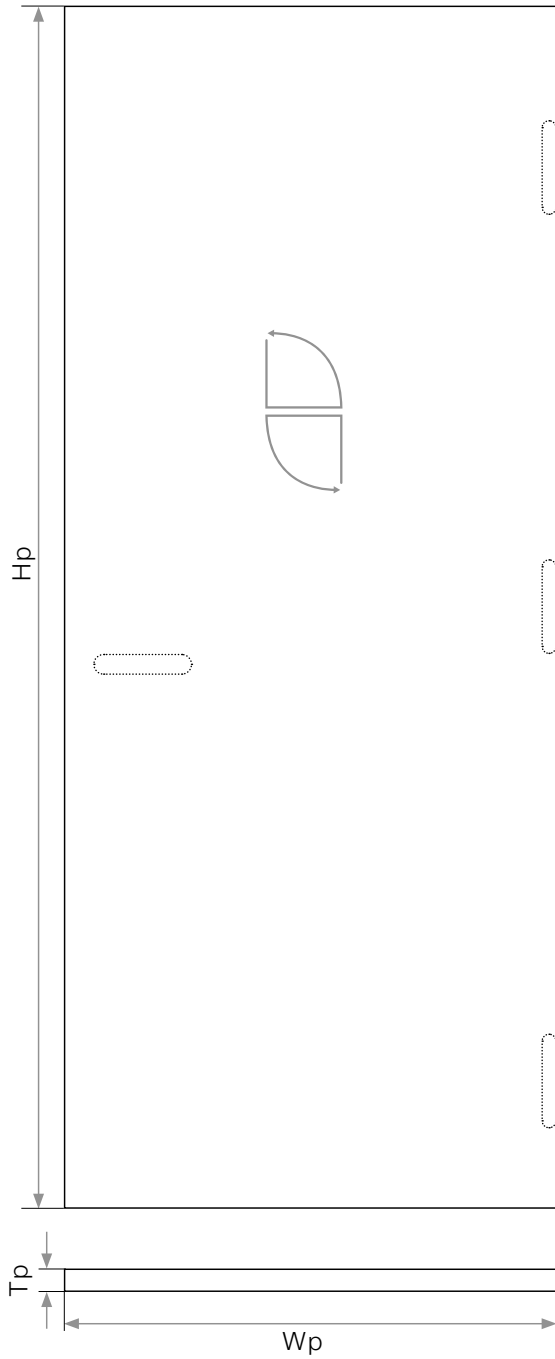
This information is based on the product properties in 2020/01. Technical improvements and product development may cause technical changes. The hardware manufacturers may vary dimensions in future without prior notice. This document is made to inform you in the best way but contains no liability to printing errors or technical changes beyond our competence. Reprint, reproduction or translation, partly or completely, is not allowed without the written permission of Xinnix Door Systems bv. All trademarks are registered trademarks.

GENERAL VIEW DOOR EU RIGHT

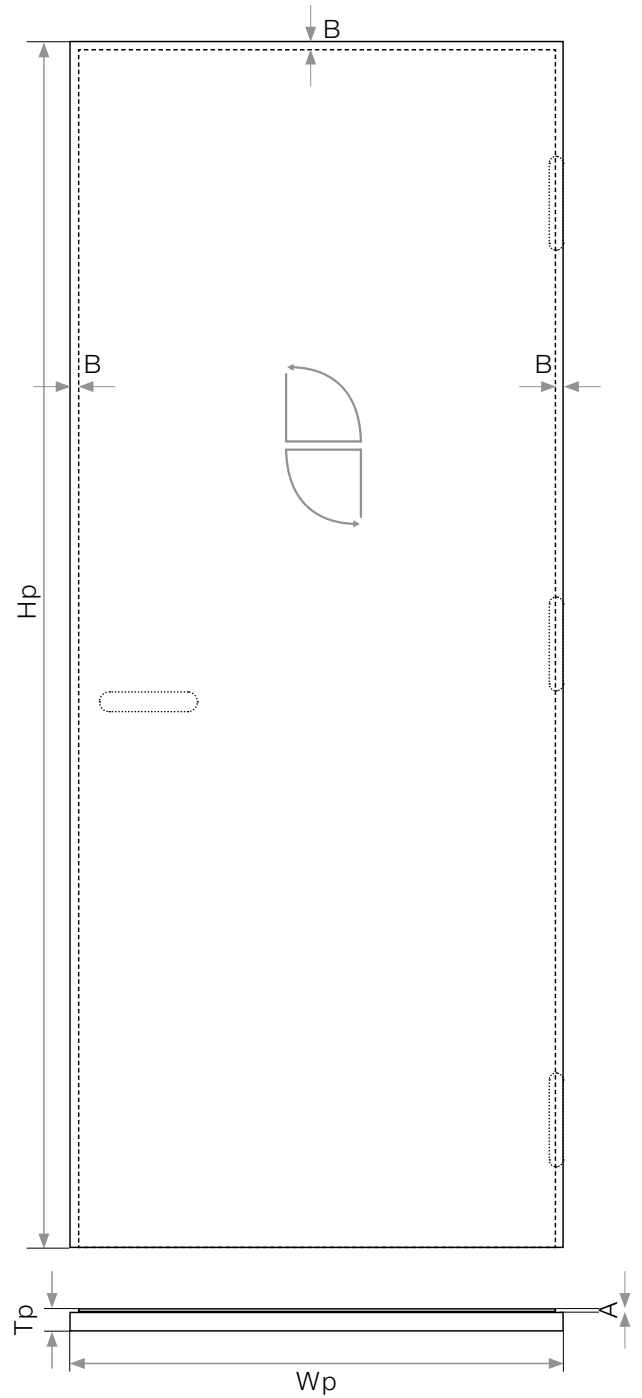


REBATES

DOOR **TYPE A** EU RIGHT



DOOR **TYPE B** EU RIGHT



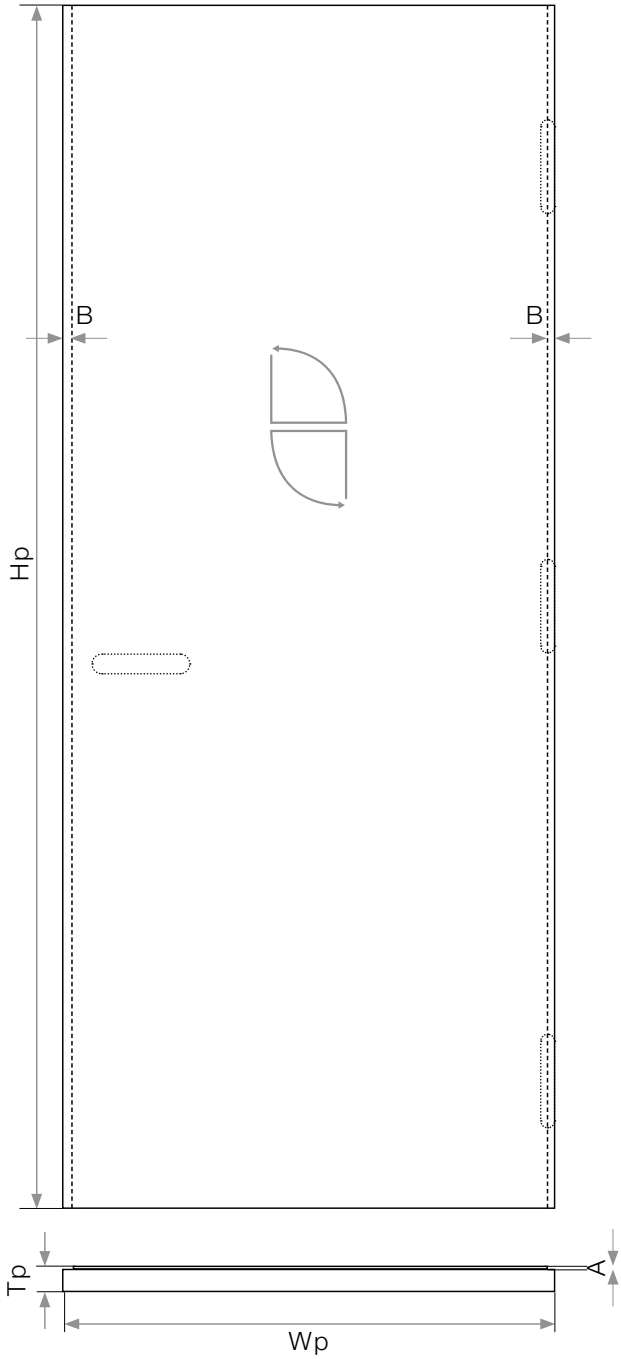
	TP	A (mm)	B (mm)	PULL	PUSH	CH*
X1	40	-	-	x	-	x
X240	40	-	-	x	-	x
X245	44-45	-	-	x	-	x
X250	50	-	-	x	-	x

*ceiling high

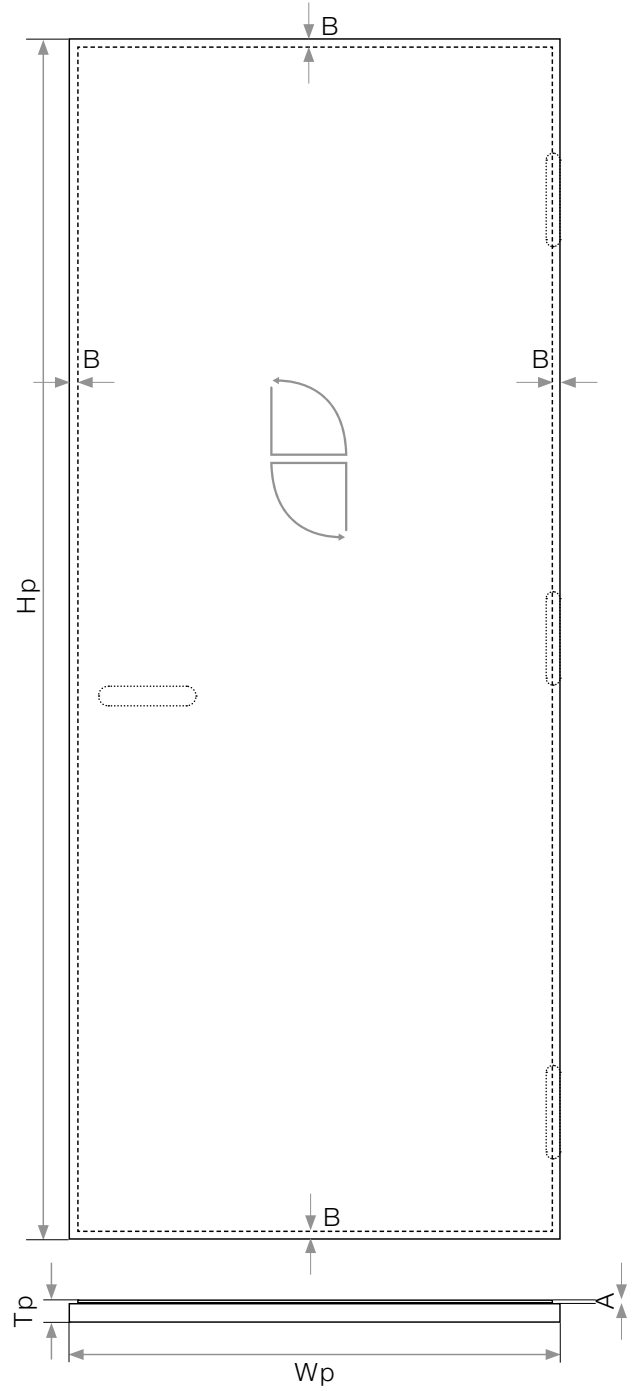
	TP	A (mm)	B (mm)	PULL	PUSH
X40V	40	7	11	x	x
X45V	44-45	7	11	x	x
X1V	50	12	13	x	-
X240V	50	12	13	x	x
X245V	55	12	13	x	x
X250V	60	12	13	x	x

REBATES

DOOR **TYPE C** EU RIGHT



DOOR **TYPE D** EU RIGHT



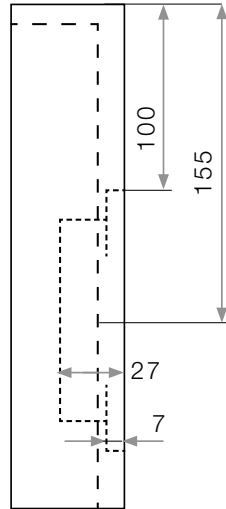
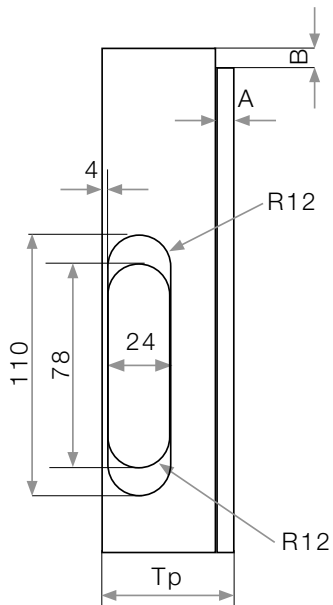
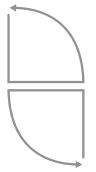
	TP	A (mm)	B (mm)	PULL	PUSH	CH*
X40T	40	7	11	x	x	-
X45T	44-45	7	11	x	x	-
X1C	50	12	13	x	-	x
X240C	50	12	13	x	x	x
X245C	55	12	13	x	x	x
X250C	60	12	13	x	x	x

*ceiling high

	TP	A (mm)	B (mm)	PULL	PUSH
X40W	40	7	11	x	x
X45W	44-45	7	11	x	x
X1W	50	12	13	x	-
X240W	50	12	13	x	x
X245W	55	12	13	x	x
X250W	60	12	13	x	x

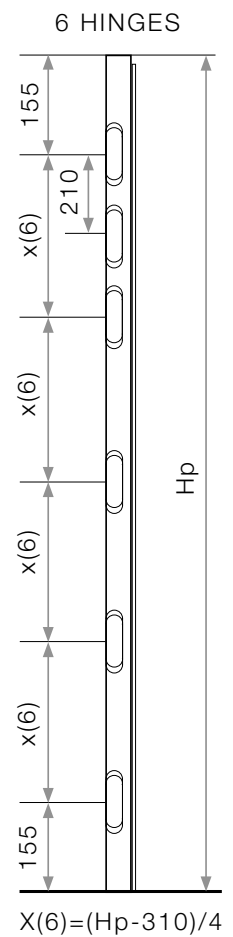
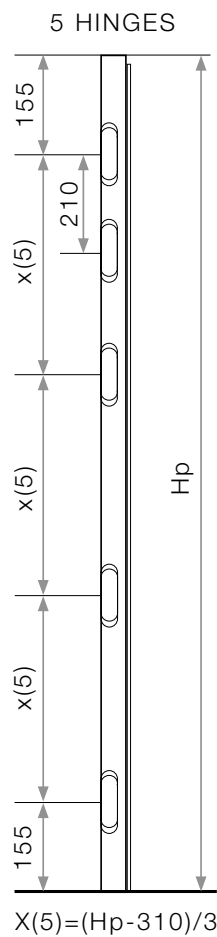
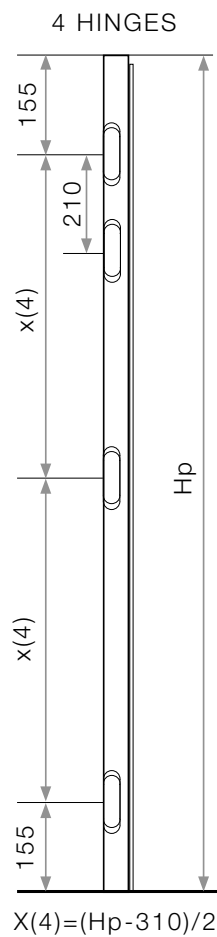
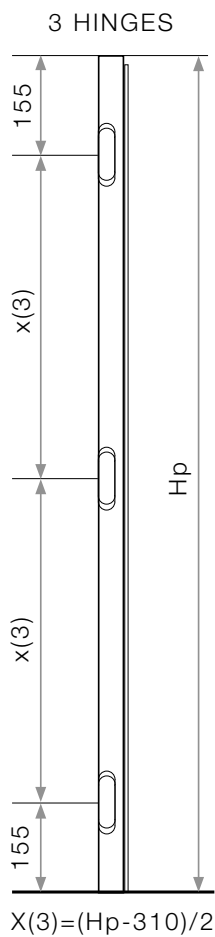
HINGES FOR DOOR PANELS EU RIGHT

X1-X240-X245-X250-X40-X45



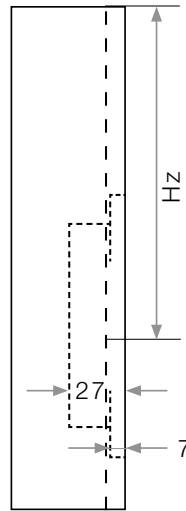
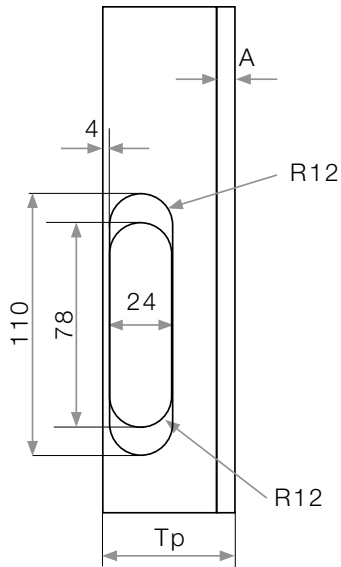
The Hinges:

- A24.0(white) STANDARD
- A24.1(F1) on request
- A24.2(black) on request
- X4030.G(grey) on request
- X4030.W(white) on request
- X4030.B(black) on request



HINGES FOR UNIVERSAL DOOR PANELS EU RIGHT

X40TU-X45TU

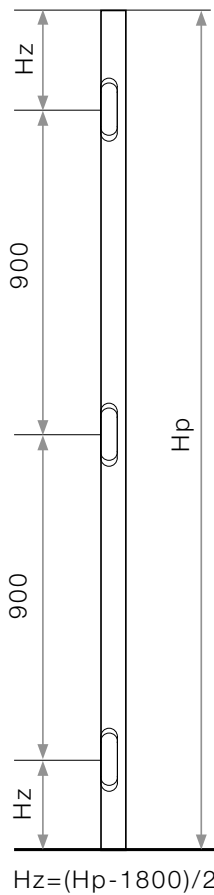


Hz min=115mm
Hz max=305mm

The Hinges:

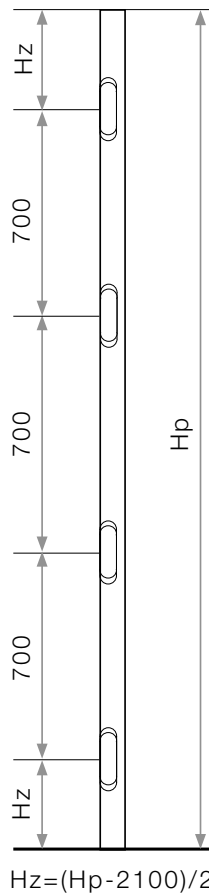
- A24.0(white) STANDARD
- A24.1(F1) on request
- A24.2(black) on request
- X4030.G(grey) on request
- X4030.W(white) on request
- X4030.B(black) on request

UNIVERSAL 3 HINGES



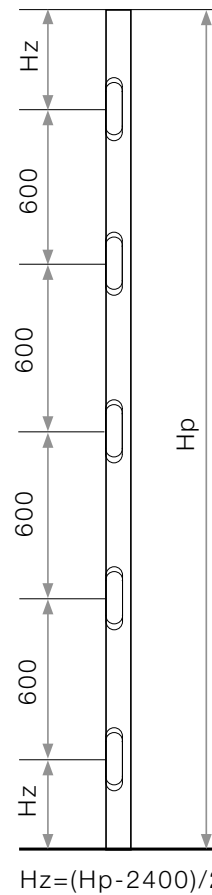
2110mm < Hp < 2410mm
X40/45-TU2100-2410...

UNIVERSAL 4 HINGES



2410mm < Hp < 2710mm
X40/45-TU2410-2710...

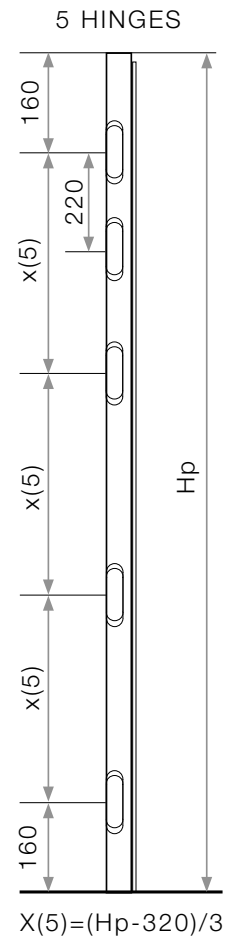
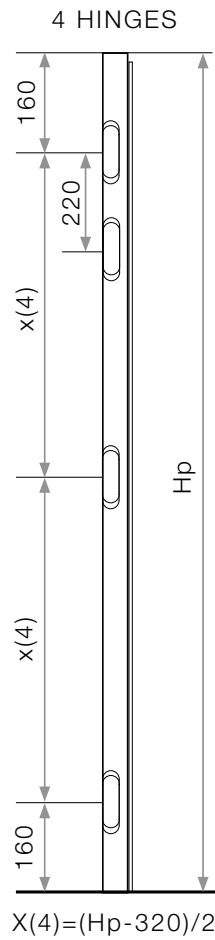
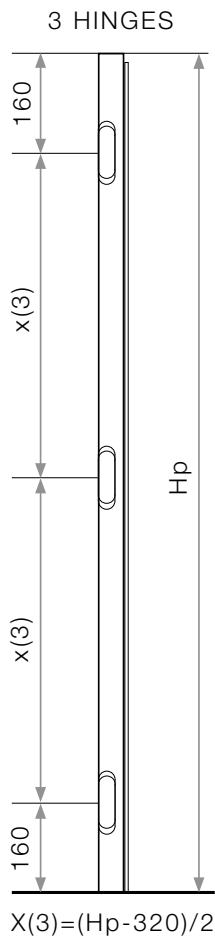
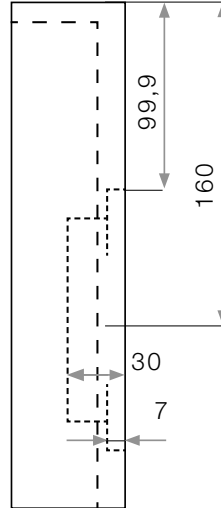
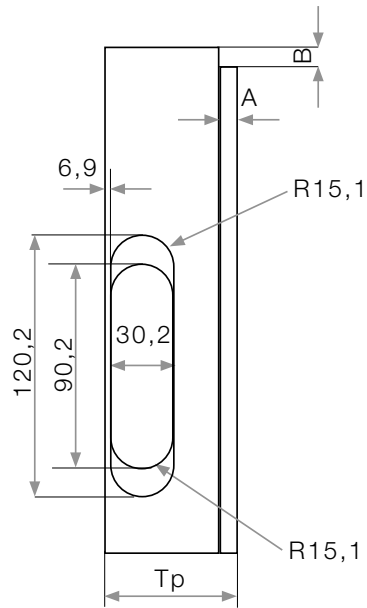
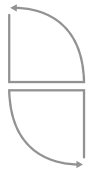
UNIVERSAL 5 HINGES



2710mm < Hp < 3010mm
X40/45-TU2710-3010...

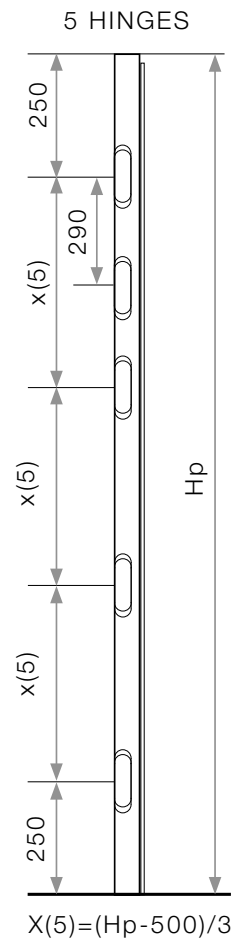
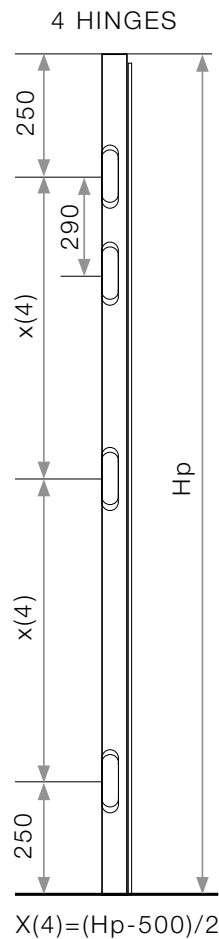
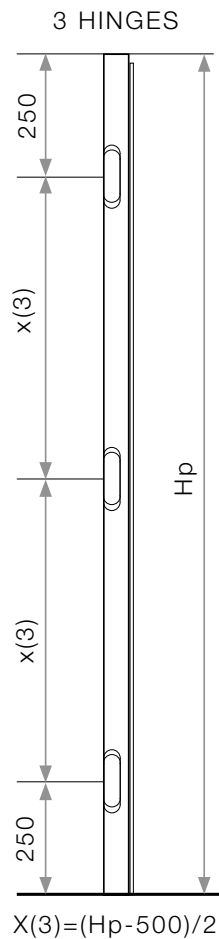
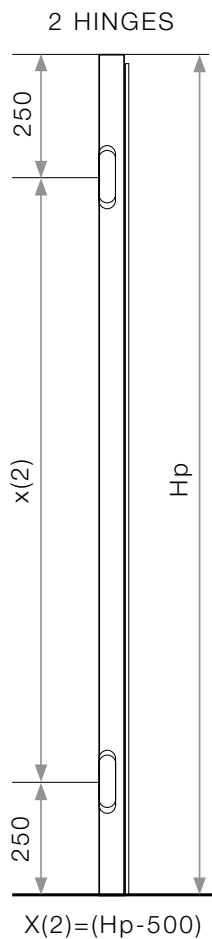
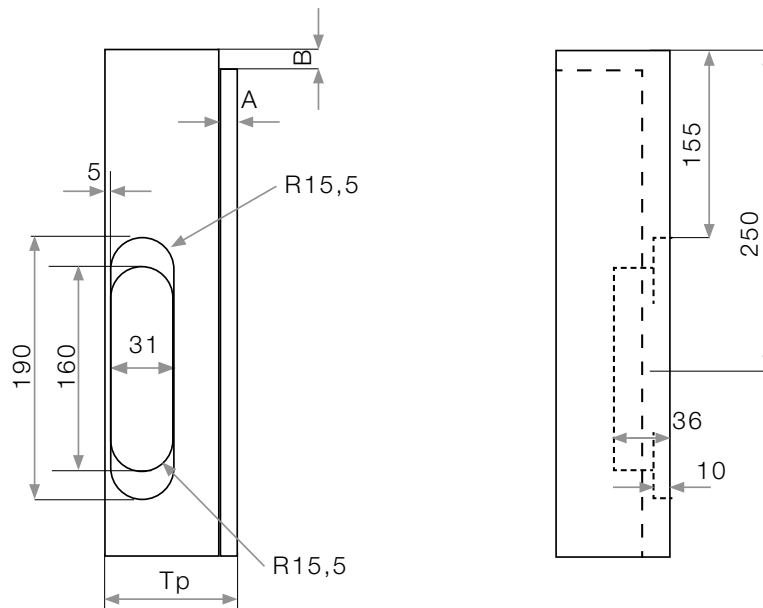
A30 HINGES FOR DOOR PANELS EU RIGHT

X1-X245-X250



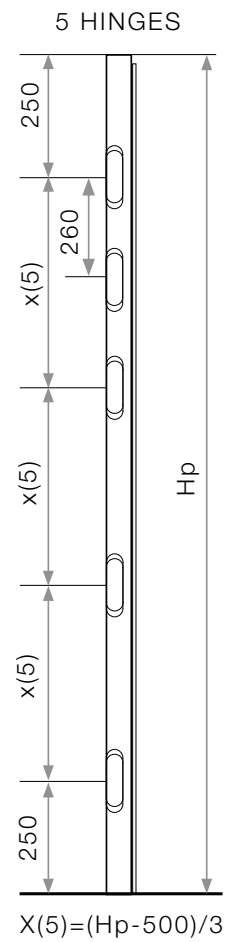
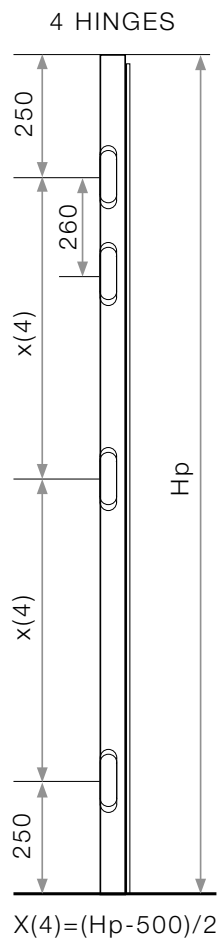
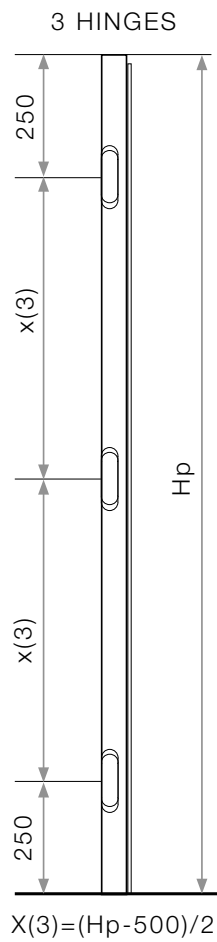
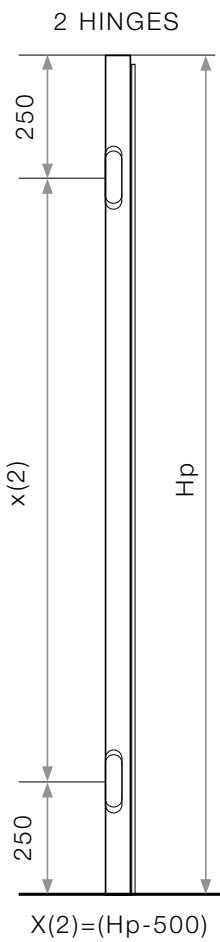
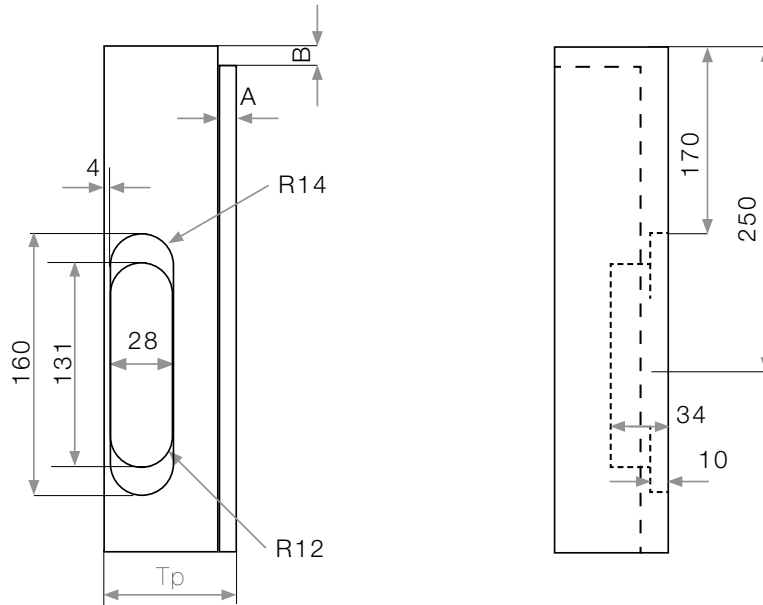
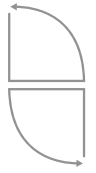
A31 HINGES FOR DOOR PANELS EU RIGHT

X1-X245-X250



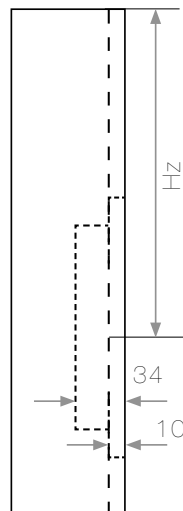
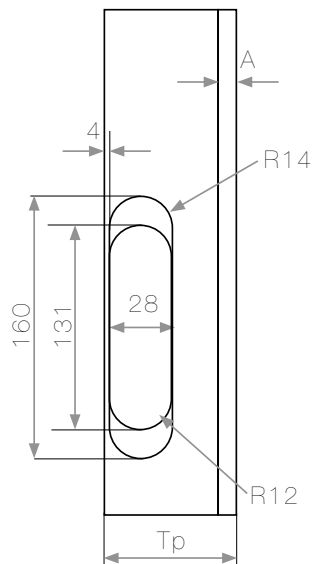
TE 340 3D HINGES FOR DOOR PANELS EU RIGHT

X1-X240-X245-X250-X45

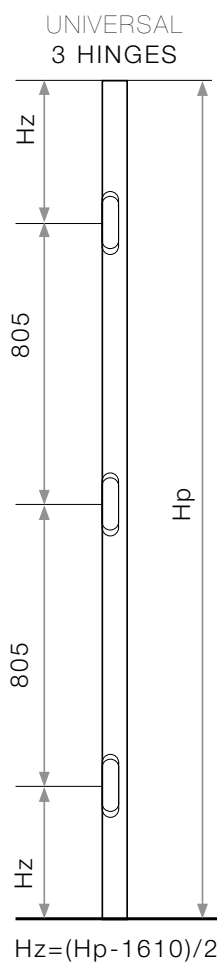


TE 340 3D HINGES FOR DOOR PANEL EU RIGHT

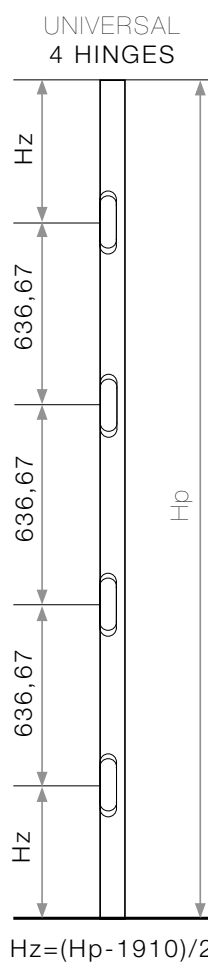
X45TU



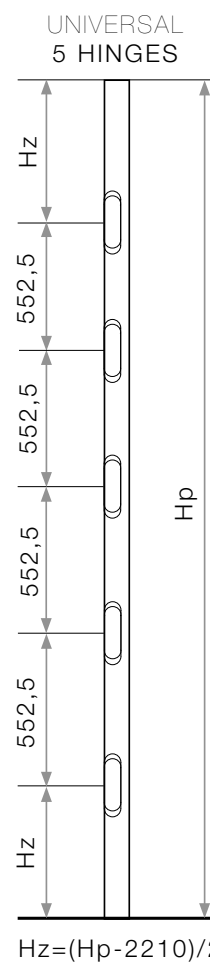
Hz min: 250mm
Hz max: 400mm



2110mm < Hp < 2410mm
X45-TU2100-2410...



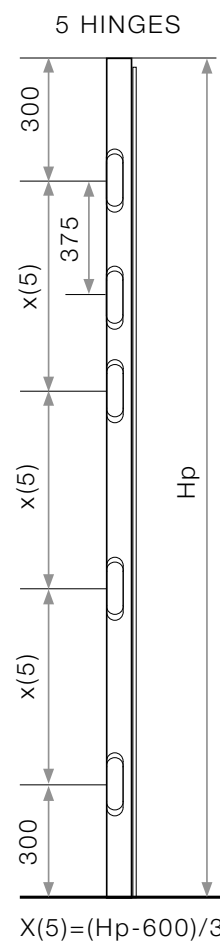
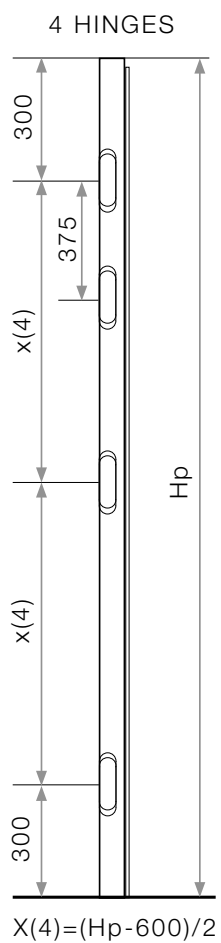
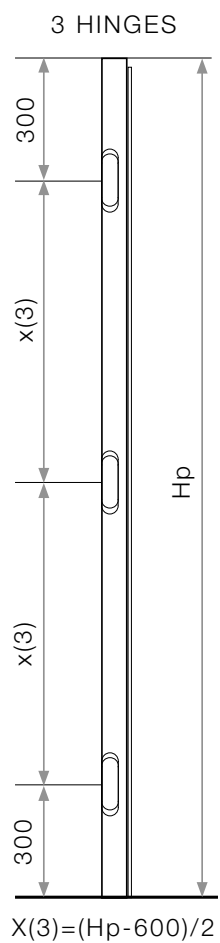
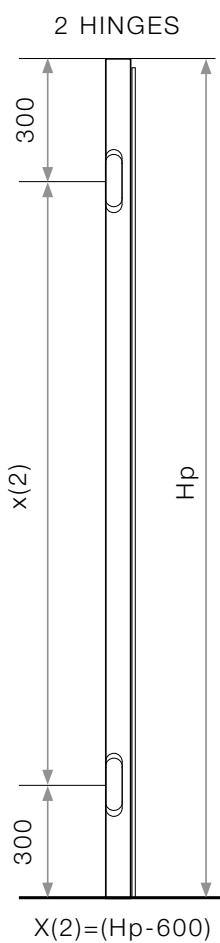
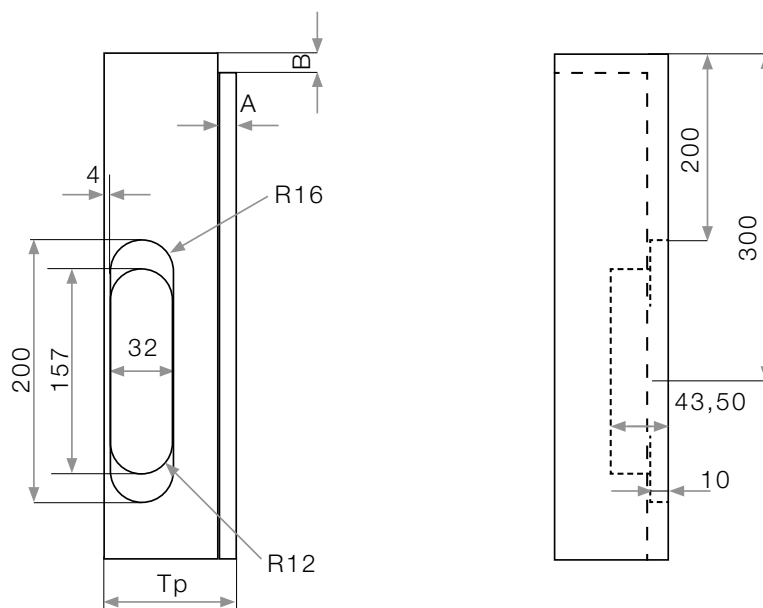
2410mm < Hp < 2710mm
X45-TU2410-2710...



2710mm < Hp < 3010mm
X45-TU2710-3010...

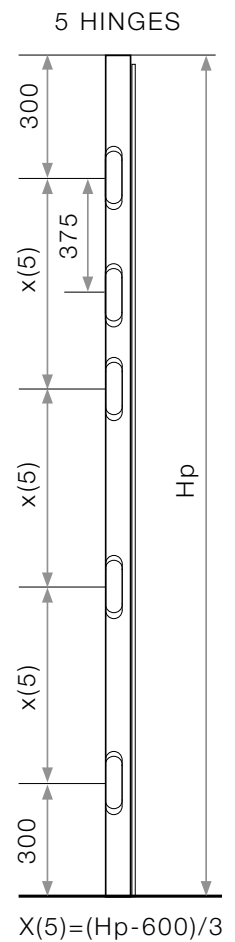
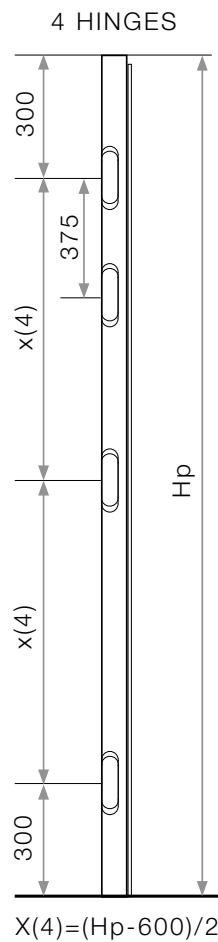
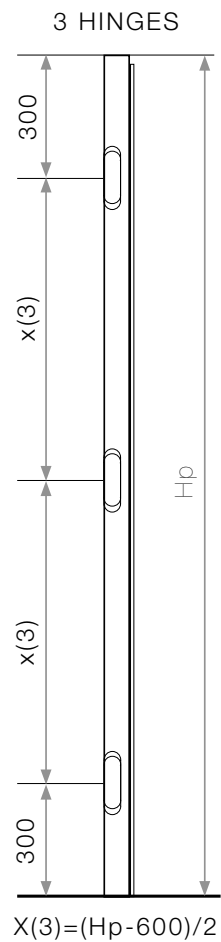
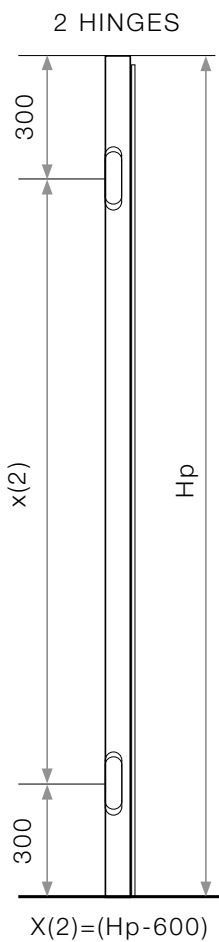
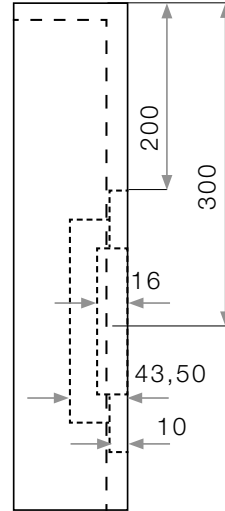
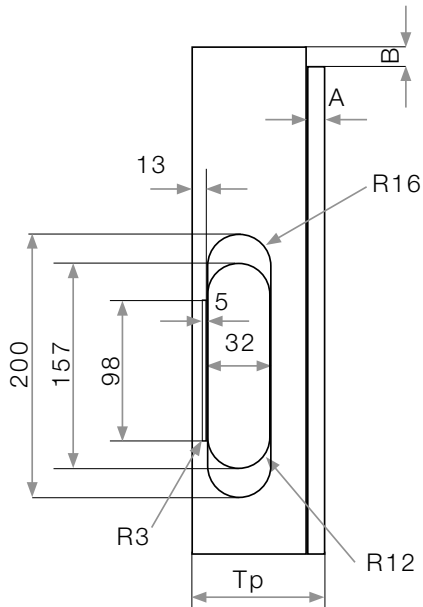
TE 540 3D HINGES FOR DOOR PANELS EU RIGHT

X1-X245-X250



TE 540 3D A8 HINGES FOR DOOR PANELS EU RIGHT

X250



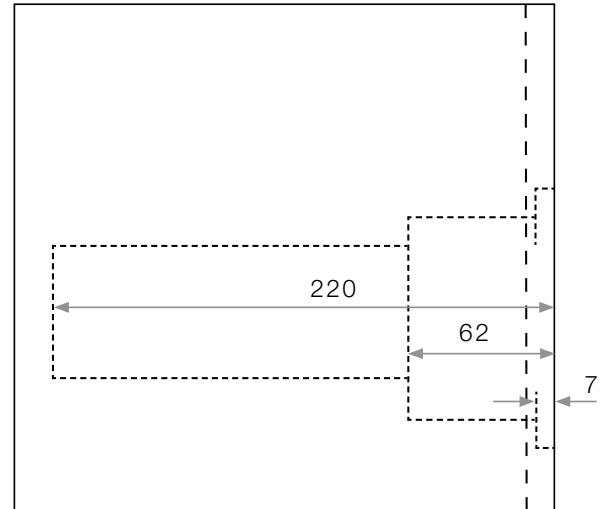
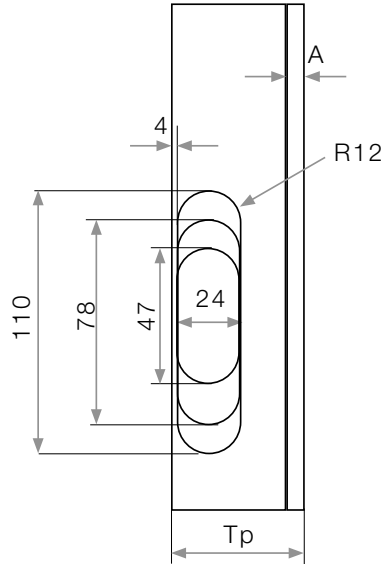
SELF CLOSING HINGES X4030

X1-X240-X245-X250-X40-X45

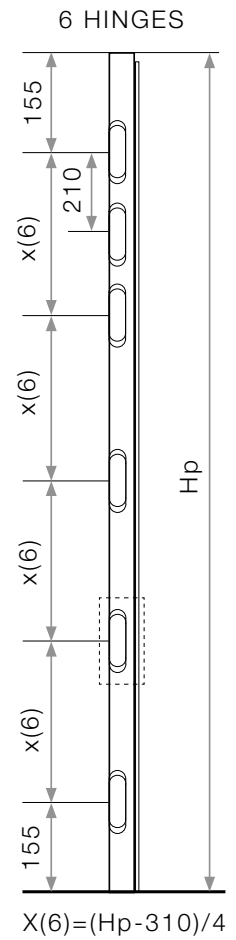
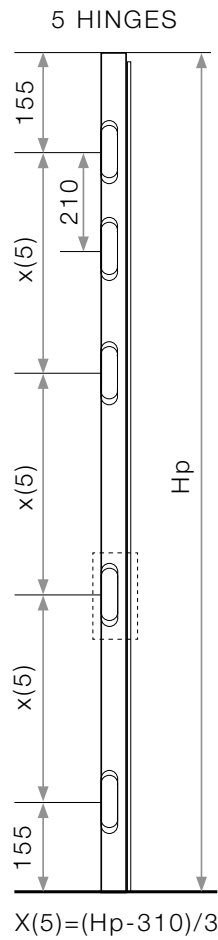
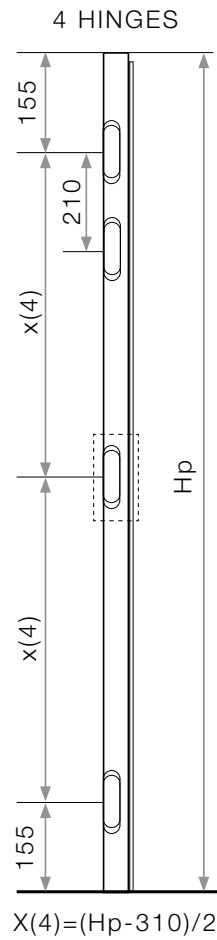
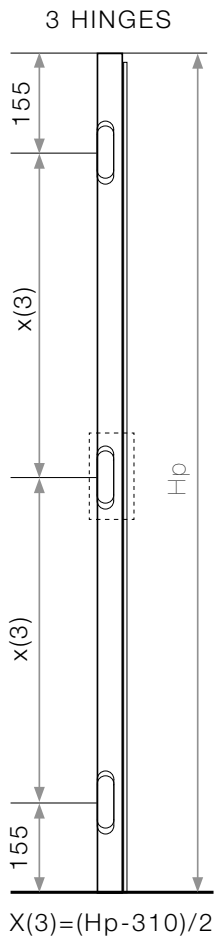


The Hinges:

X4030-SC.W STANDARD
X4030-SC.B on request



Self closing hinge



XINNIX LOCKS FOR DOOR PANELS EU RIGHT



	LOCK	Y: □8mm
☞	XA-D70BB.CS	90(standard)
☒	XA-D73WC.CS	95(in option)
☞	XA-D78PZ.CS	85(in option)

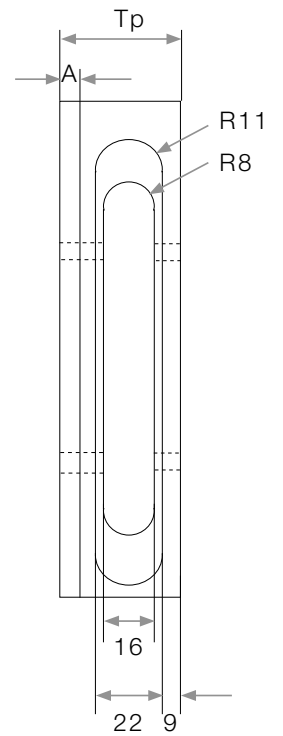
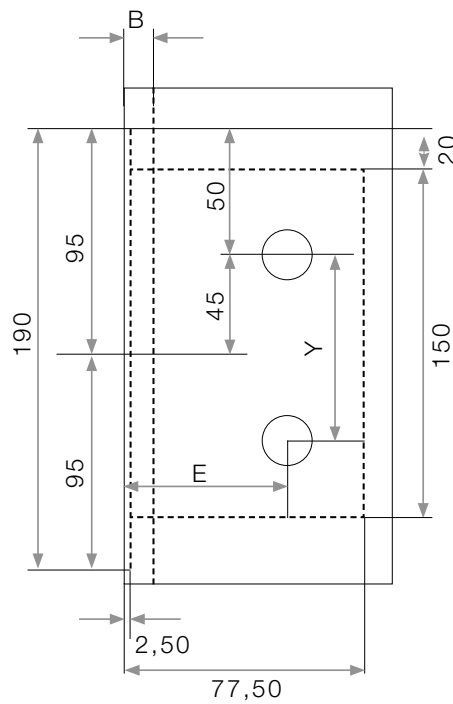
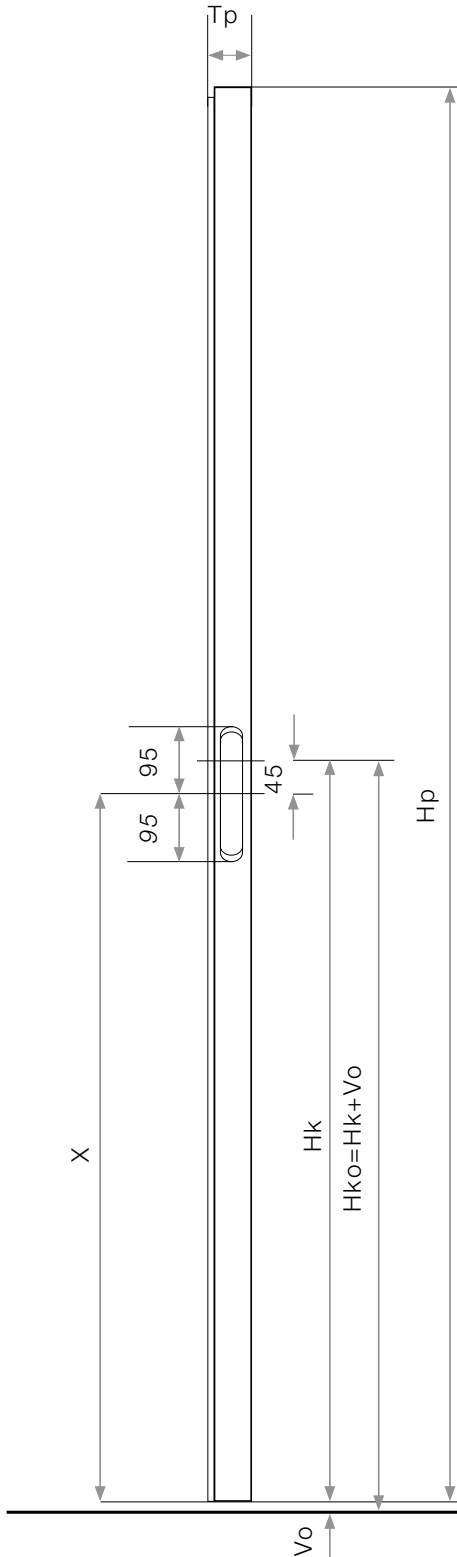
E=50

Standard $V_o=3\text{mm}$
For standard door panels/country

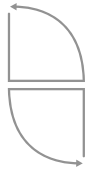
System X40T/X45T and $H_p \leq 2050$
 $X = H_p/2$

Other Systems or $H_p > 2050\text{ mm}$
 $X = 1007,5\text{mm}$

$H_k = X + 45\text{mm}$ (height handle on door)
 $H_{ko} = H_k + V_o$ (height floor-height handle)



DIN LOCK FOR DOOR PANELS EU RIGHT



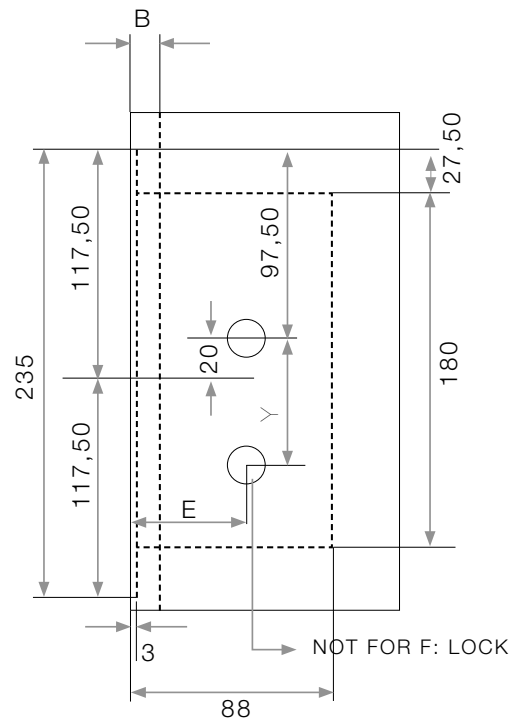
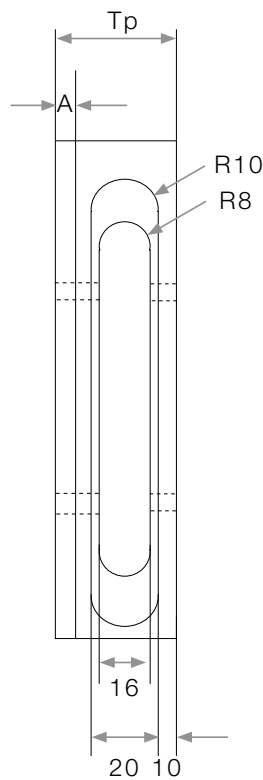
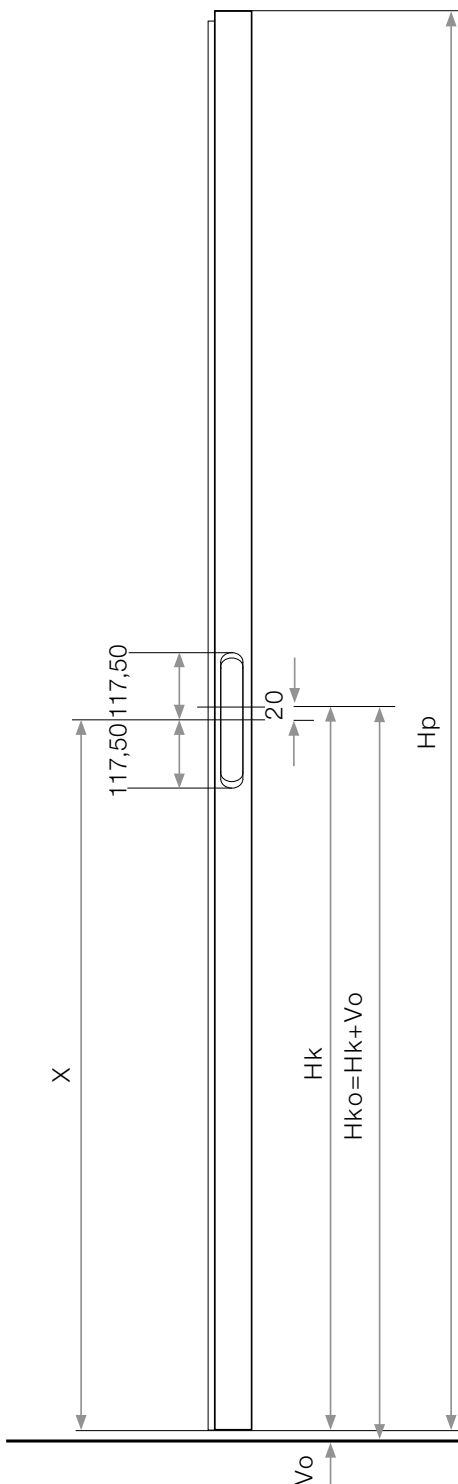
Standard $V_o=3\text{mm}$
Standard $X=1030\text{mm}$

$H_k=X+20\text{mm}$ (height handle on door)
 $H_{ko}=H_k+V_o$ (height floor-height handle)

K	DIN LOCK		Y: $\square 8\text{mm}$
	F		-
F		BB	72
V		WC	78
V		PZ	72

X - N - N - X	DIN LOCK		Y: $\square 8\text{mm}$
		R15	72
		R17	78
		R19	72
		R35	72
		R37	78
		R59	72

E=55



NZ XINNIX LOCK FOR DOOR PANELS EU RIGHT



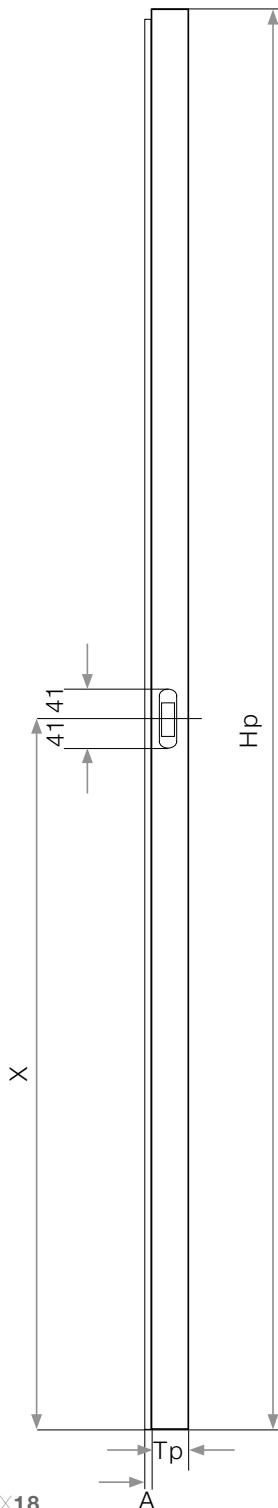
Standard $V_0=3\text{mm}$
For standard door panels/country

System X40T/X45T and $H_p \leq 2050\text{mm}$
 $X=H_p/2$

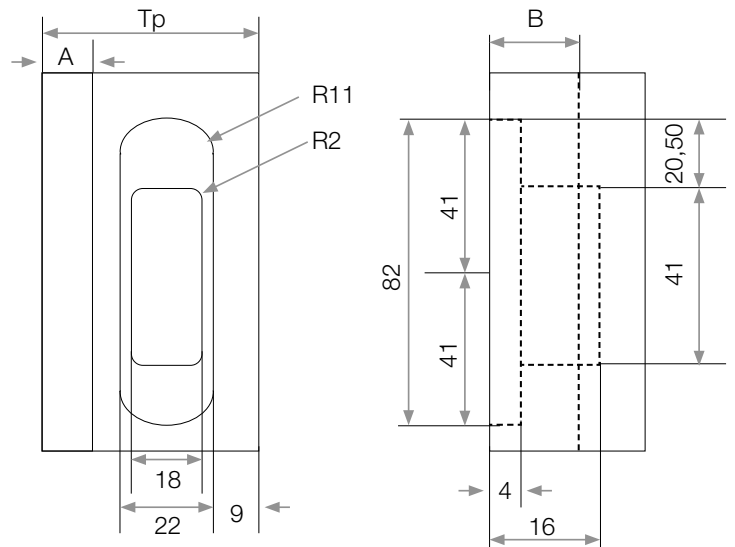
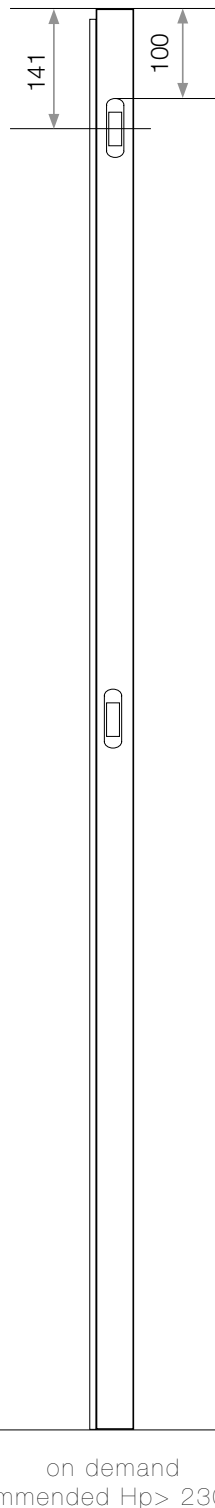
Other systems or $H_p > 2050\text{mm}$
 $X=1007,5$

LOCK	COLOR
XA-NZ.W	WHITE
XA-NZ.G	GREY
XA-NZ.B	BLACK

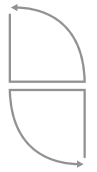
1 NZ LOCK



2 NZ LOCK

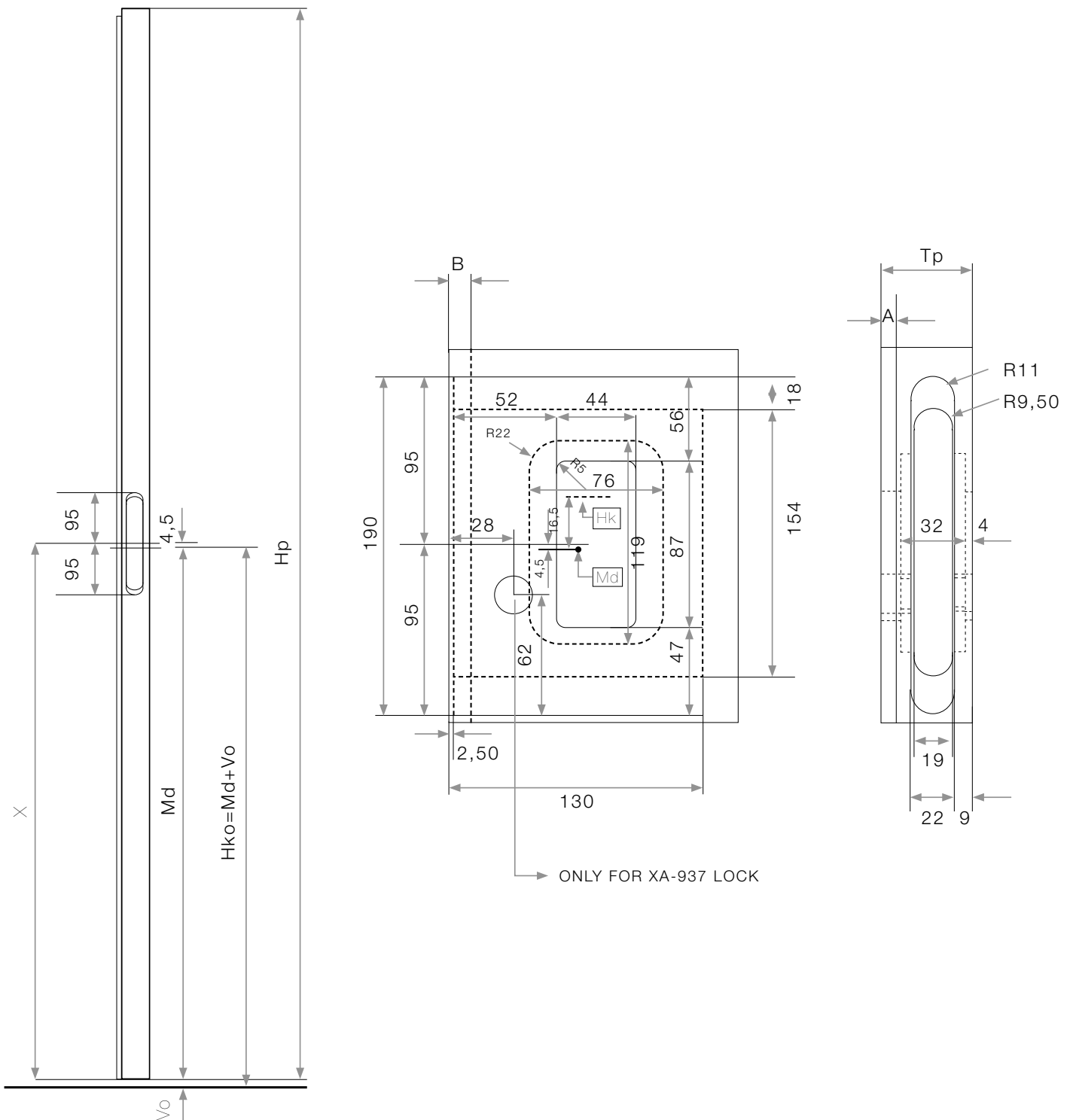


NOHA MINI LOCK FOR DOOR PANELS EU RIGHT

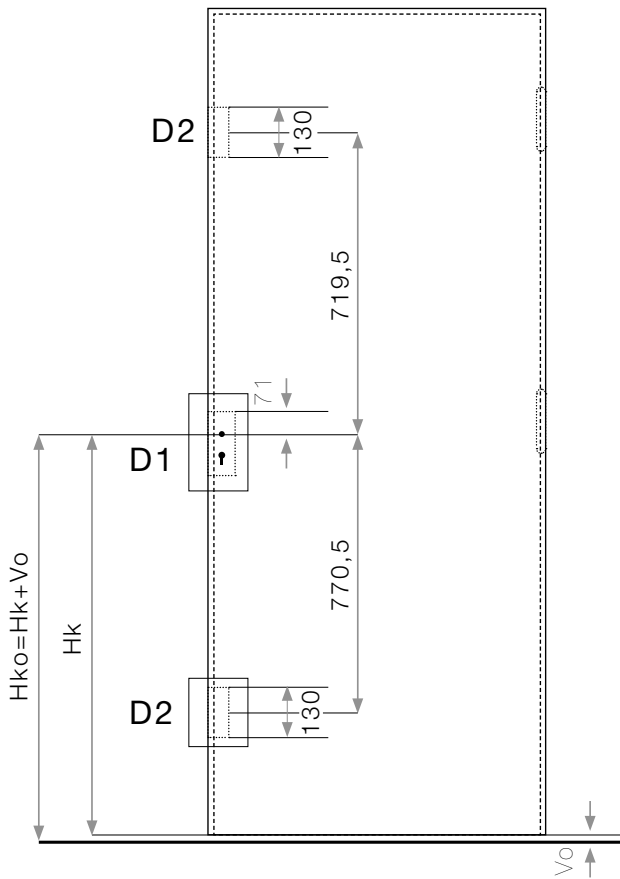


Standard $V_o=3\text{mm}$
 Standard $X=1038\text{mm}$ for $M_d=1033,5\text{mm}$ ($H_k=1050\text{mm}$)
 $M_d=X-4,5\text{mm}$ (Height middle Push plate on door)
 $H_{ko}=M_d+V_o$ (Height floor - Height middle Push plate)

!!!Except for standard door panels/country system
 X40T/X45T with $H_p \leq 2050\text{mm}$
 $X=(H_p/2)+30,5\text{mm}$



3 POINT LOCK WINKHAUS DOOR PANEL EU RIGHT



SEC LOCK 1

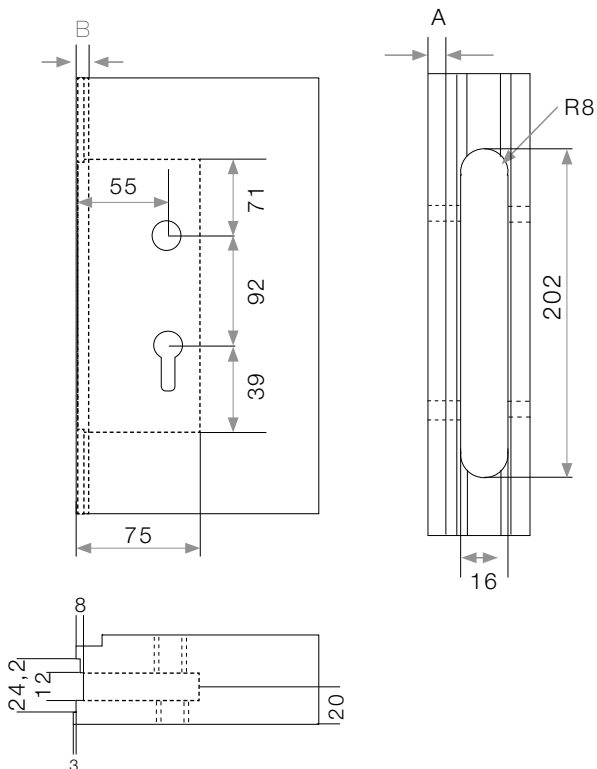
3 Point Lock Winkhaus
art.nr. 2925390

Standard $V_o = 3\text{mm}$

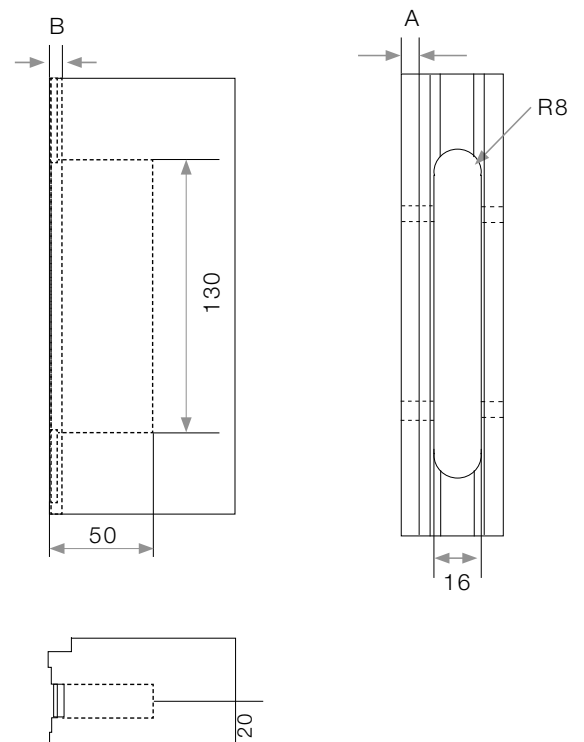
Standard $H_k = 1050\text{mm}$ (Height handle on door)

Standard $H_{ko} = 1053\text{mm}$ (Height floor - Height handle)

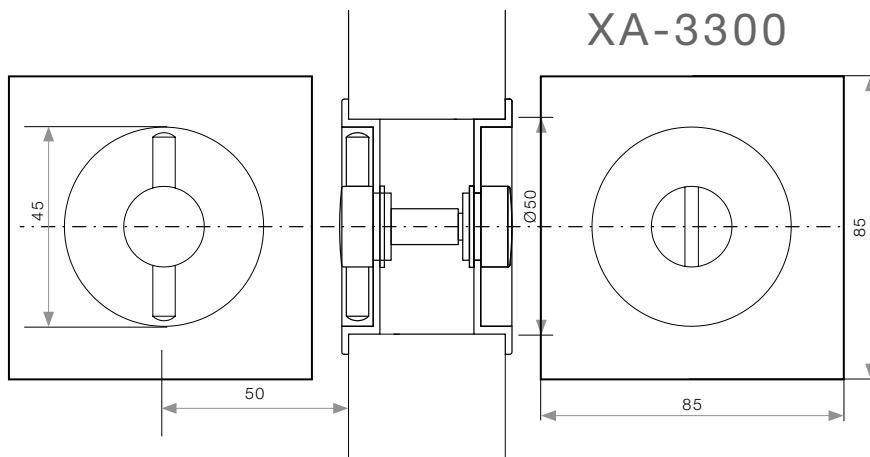
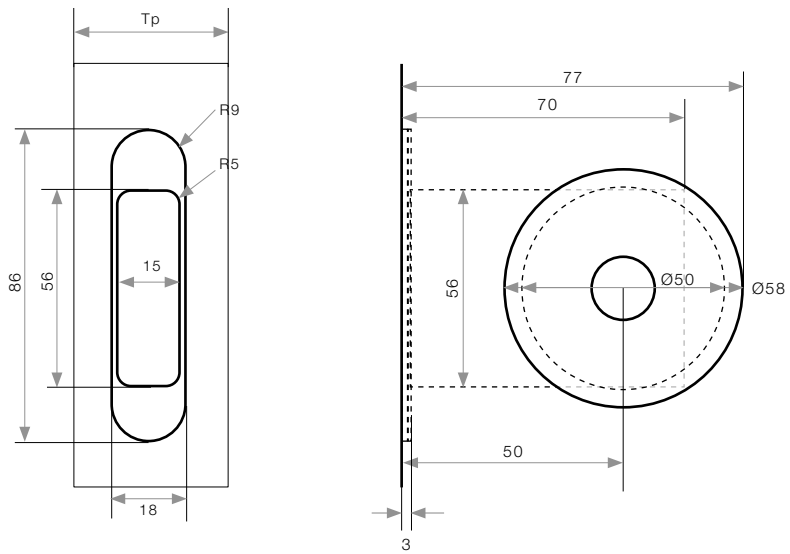
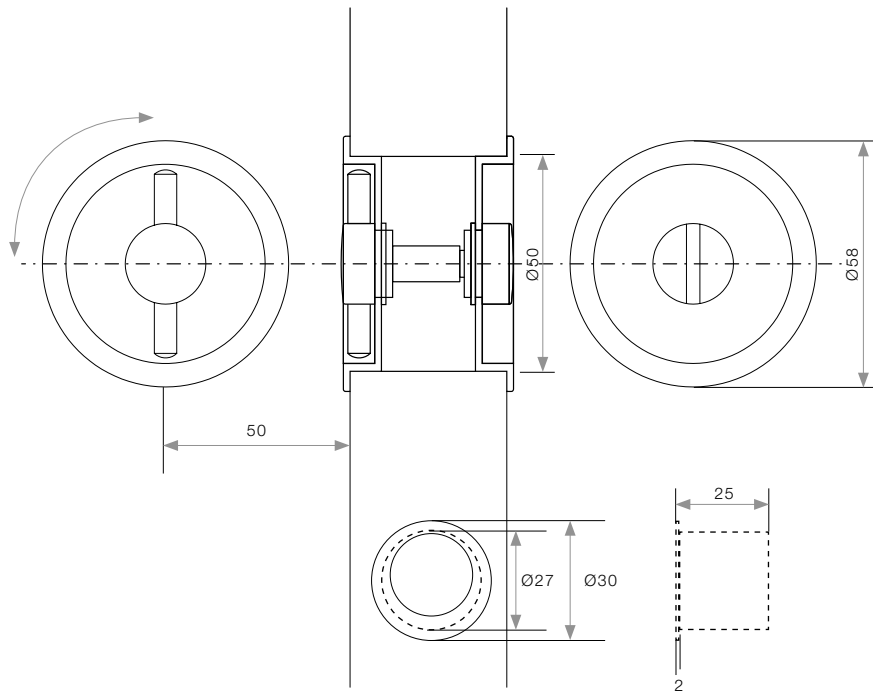
D1



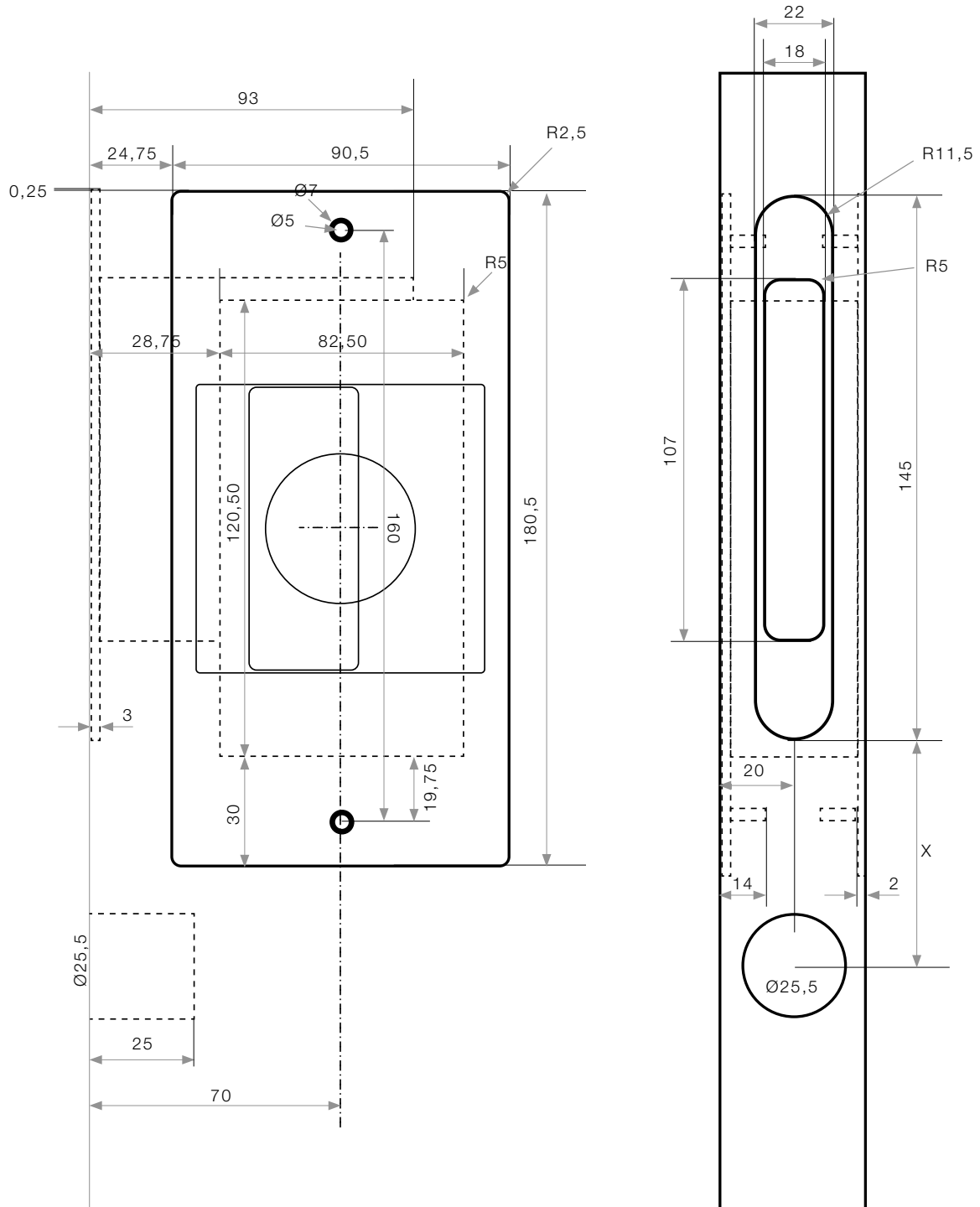
D2



LOCK POCKET SLIDING DOOR X3100

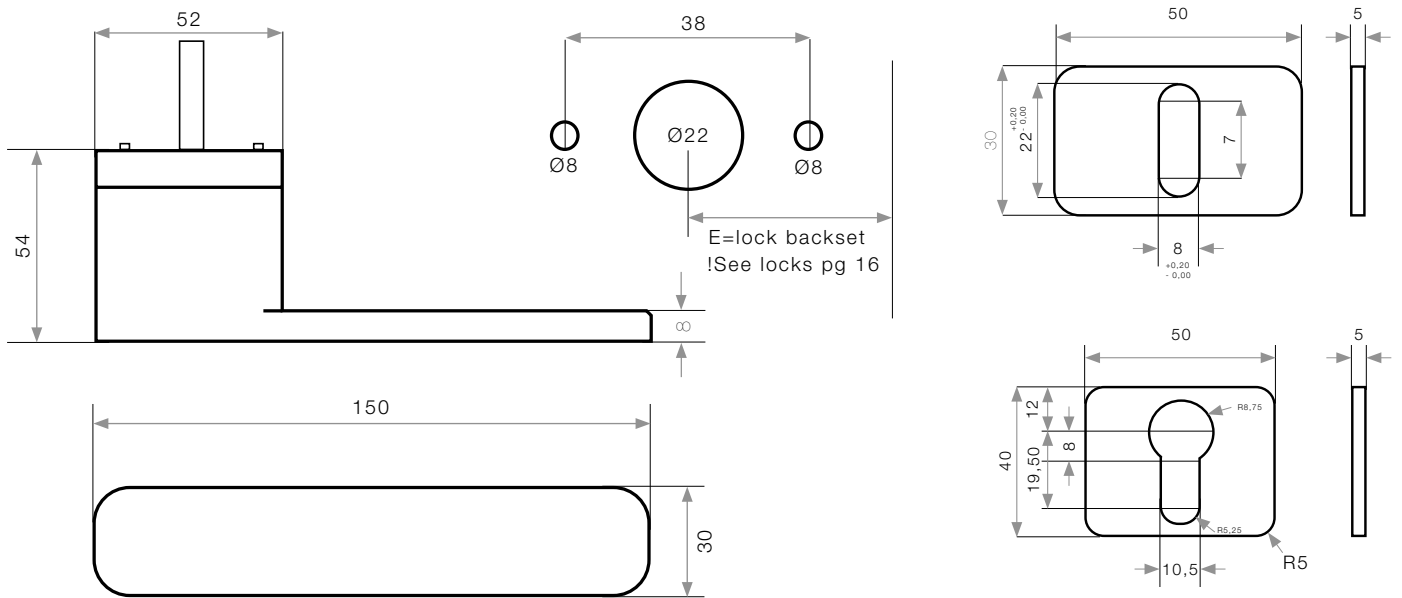


LOCK POCKET SLIDING DOOR XA-3105

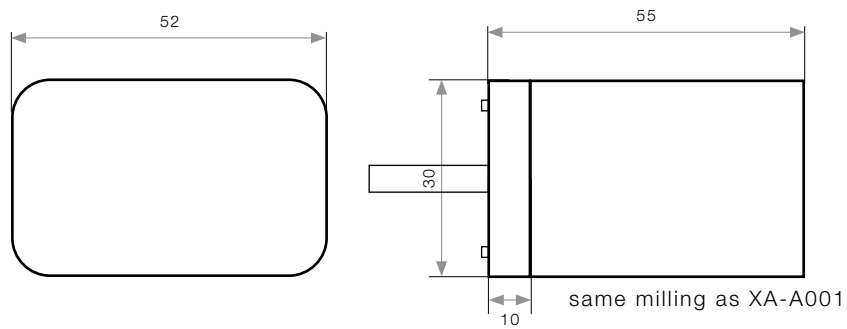


SERIE A001

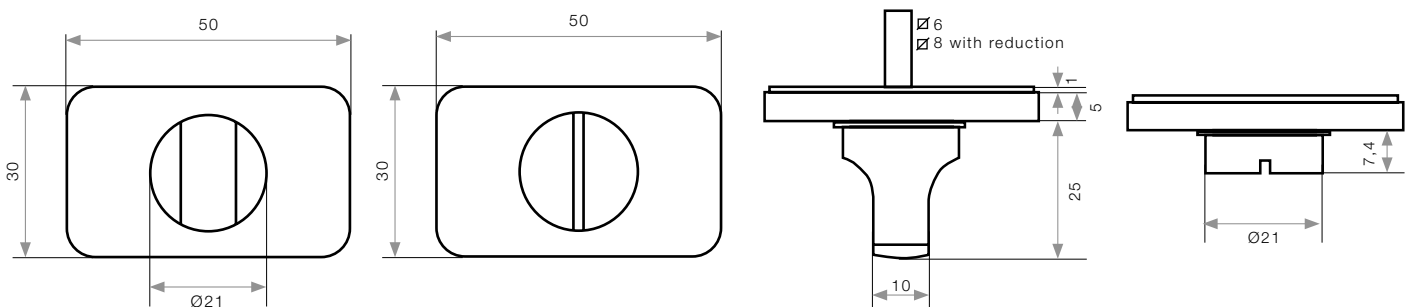
DOOR HANDLE XA-A001



KNOB XA-AK001

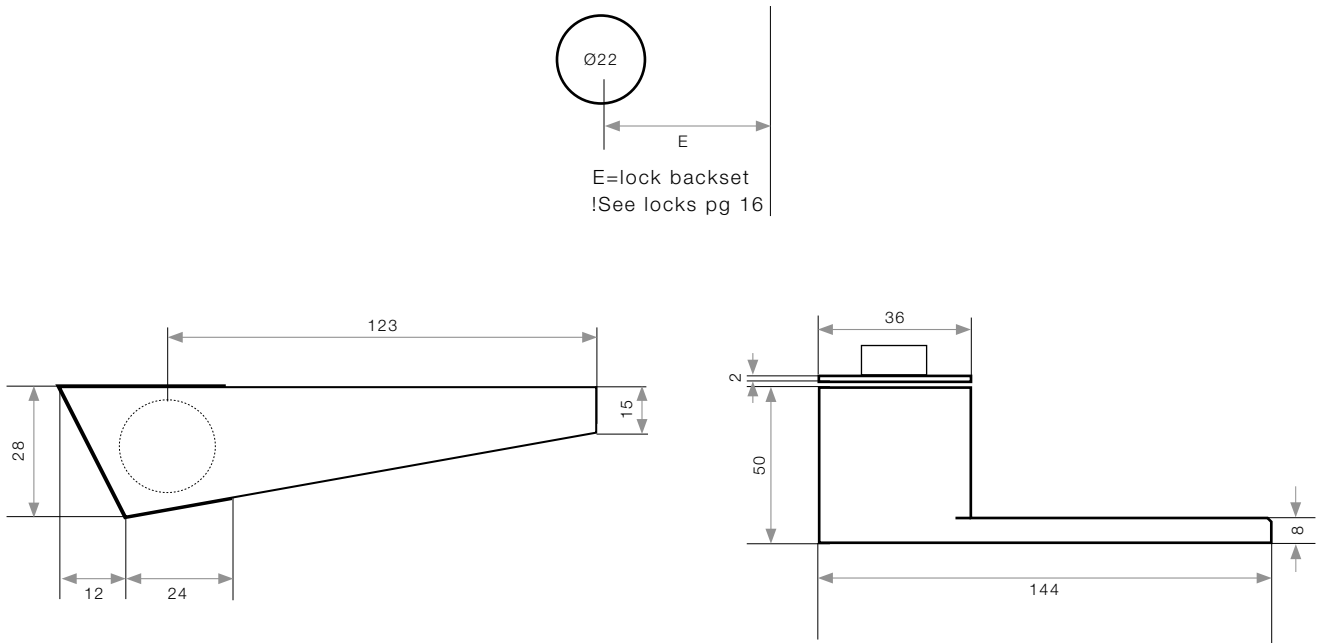


BATHROOM SNIB XA-A001.WC

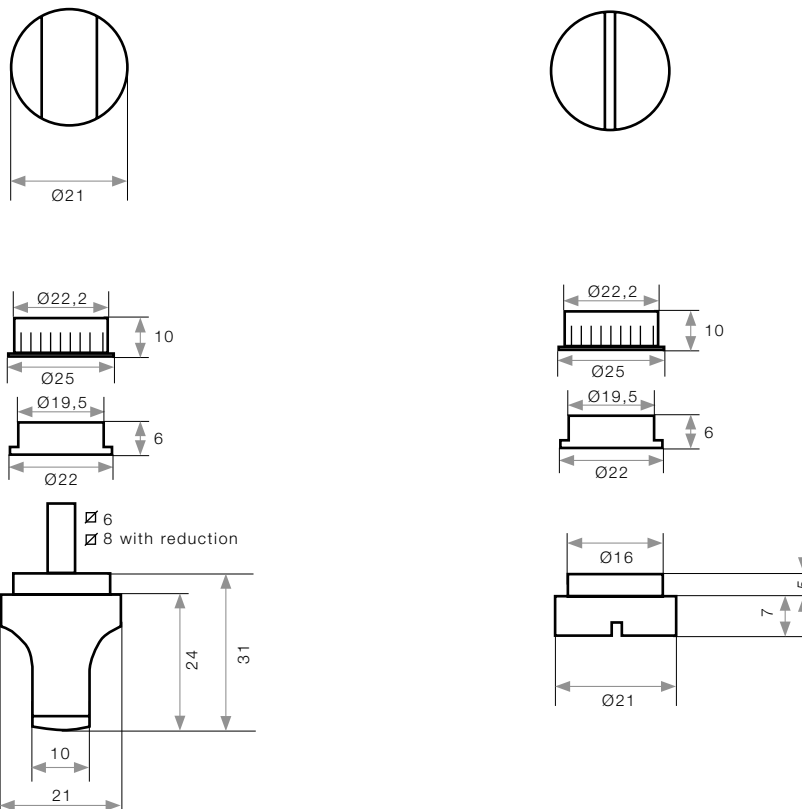


SERIE A002

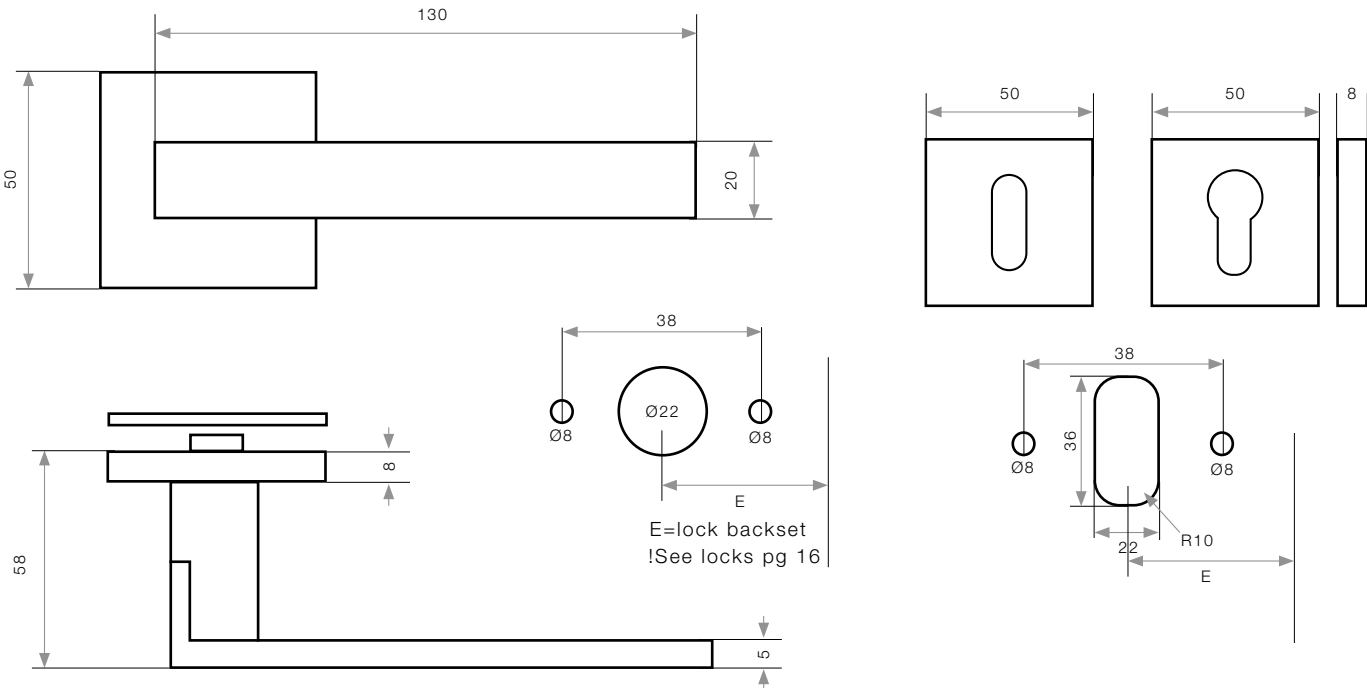
DOOR HANDLE XA-A002



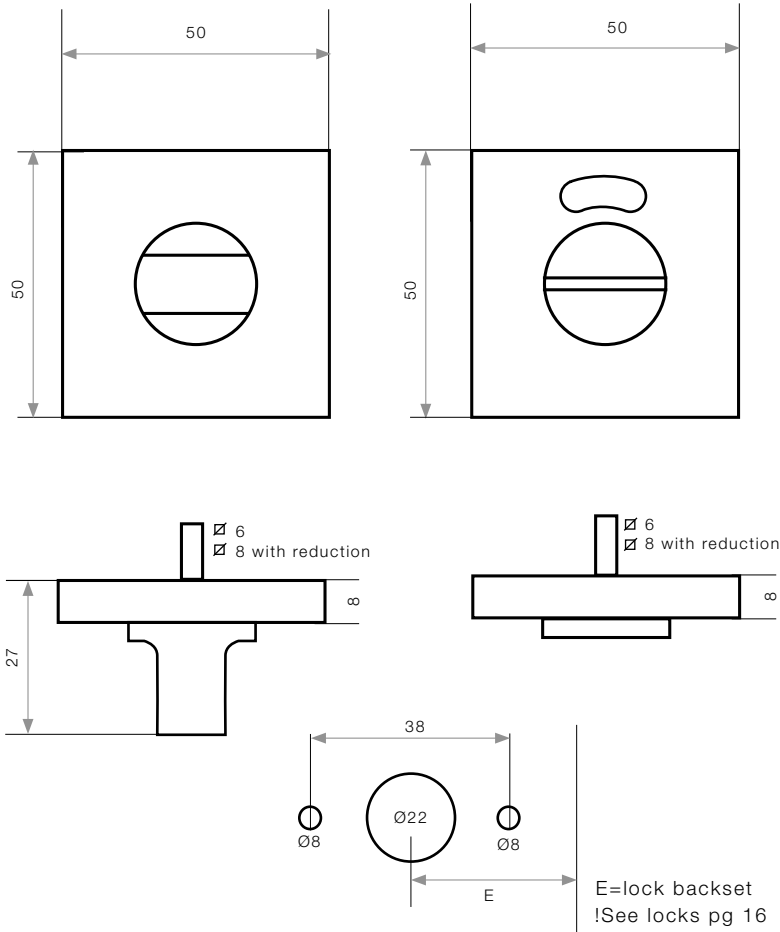
BATHROOM SNIB XA-A002WC



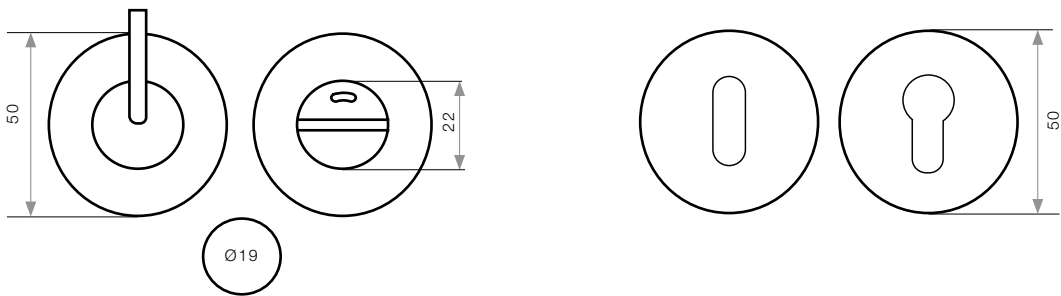
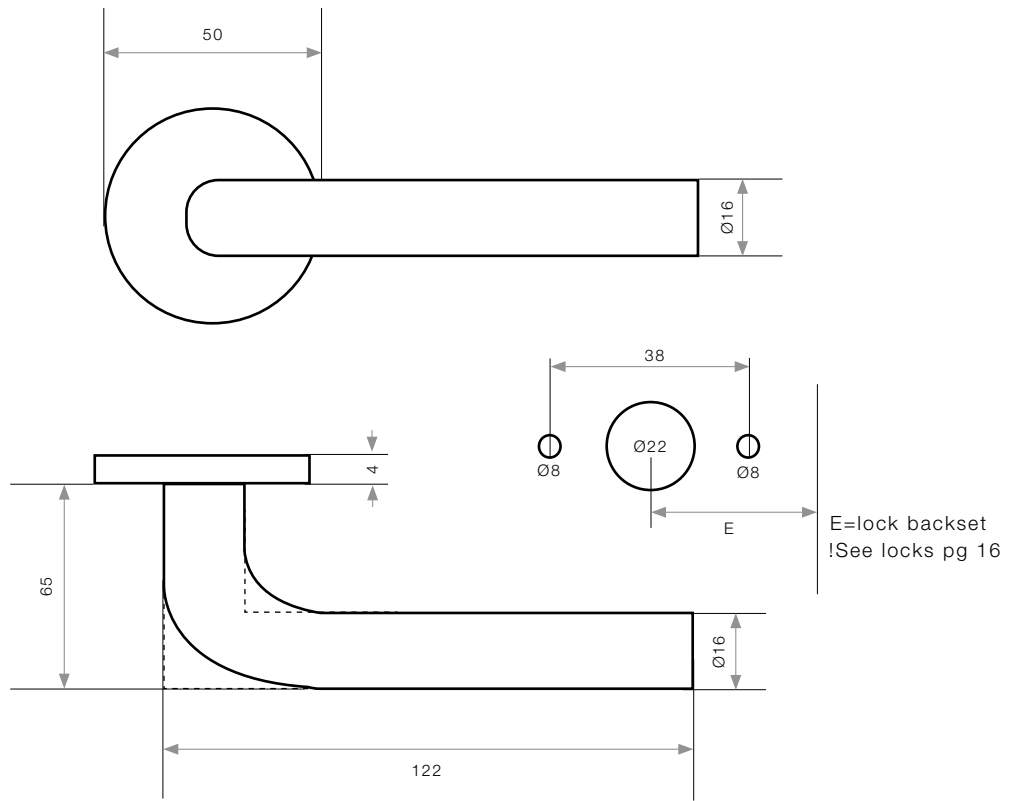
DOOR HANDLE XA-IT151



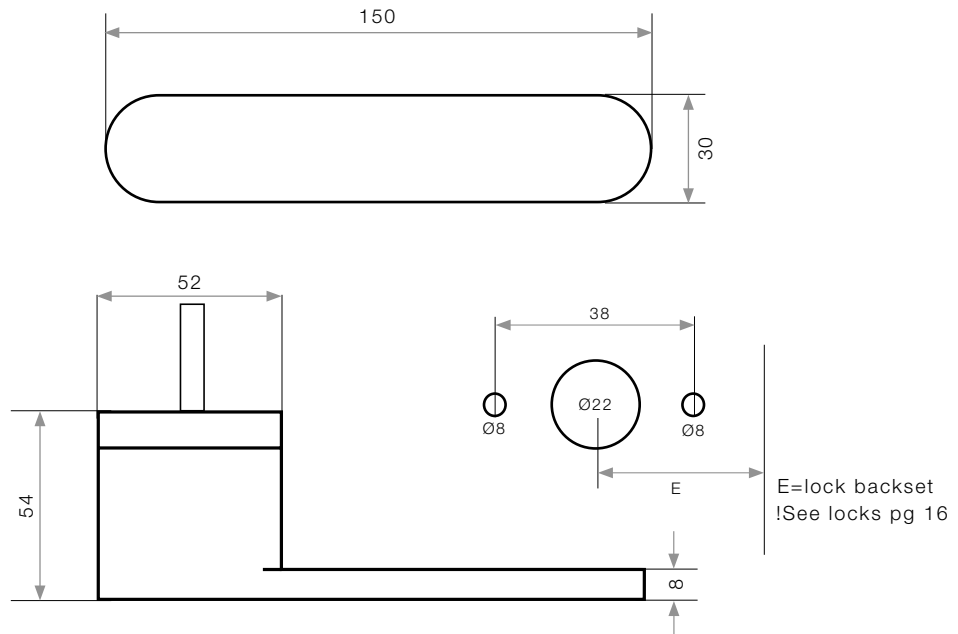
BATHROOM SNIB XA-IT002.WC



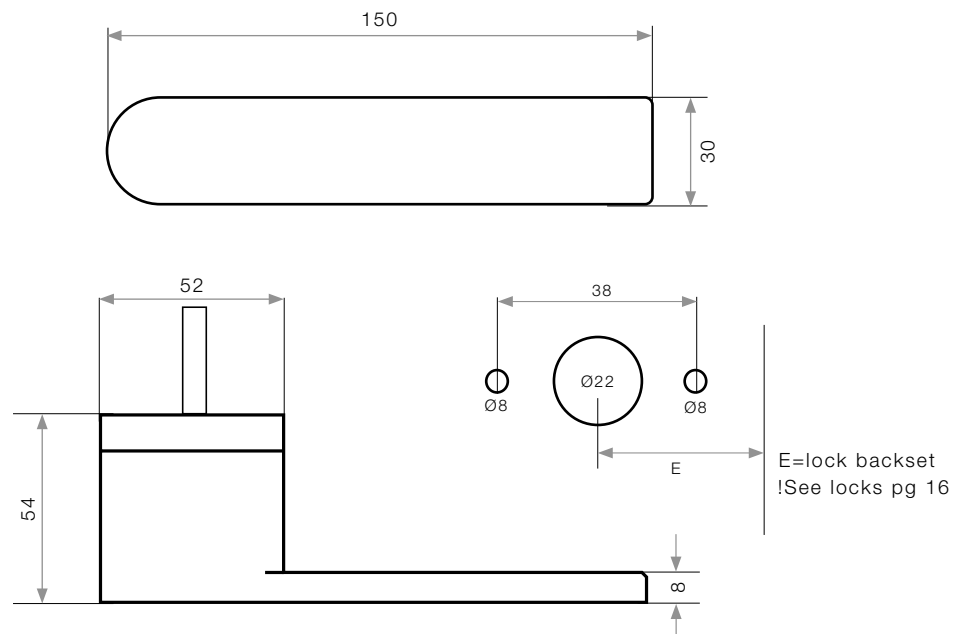
DOOR HANDLE XA-2016(L)



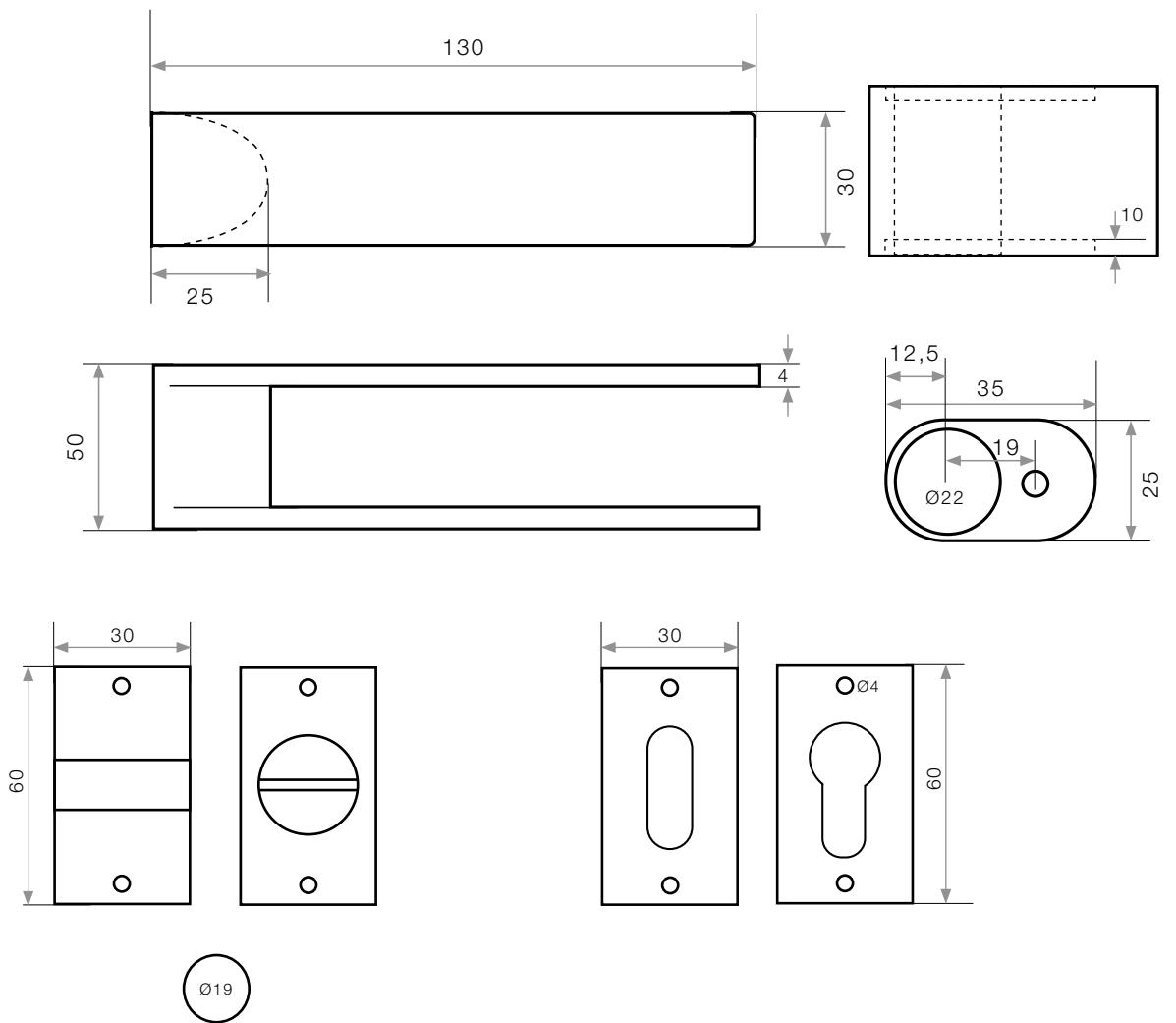
DOOR HANDLE XA-RF140



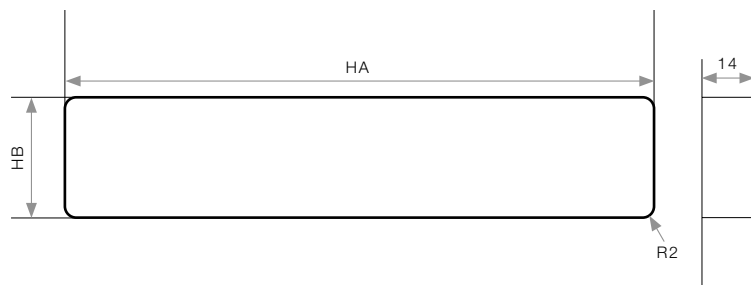
DOOR HANDLE XA-RF150



DOOR HANDLE XA-IT2001



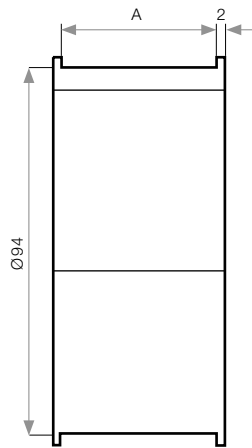
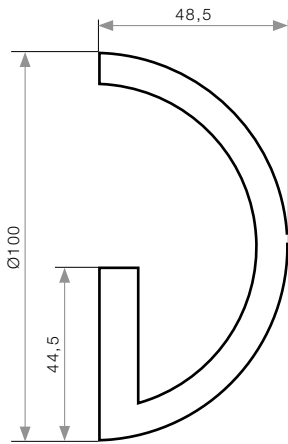
DOOR HANDLE XA-H160/XA-H180



	HA	HB	
XA-H160.NS (metal look) XA-H160.W (white) XA-H160.B (black)	157	22	Horizontal or Vertical installation
XA-H180.NS (metal look) XA-H180.W (white) XA-H180.B (black)	177,5	42,5	Horizontal or installation advised

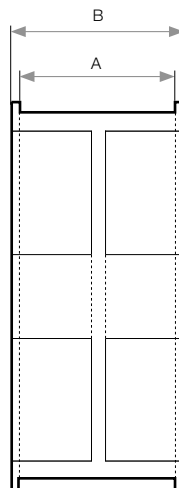
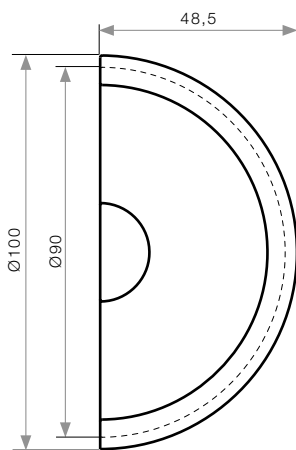
In combination with Xinnix NZ Magnetic Roller lock (see page 18)

DOOR HANDLE FOR SLIDING DOOR X34...



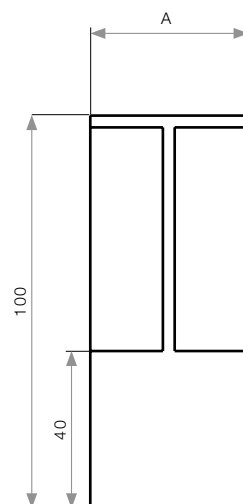
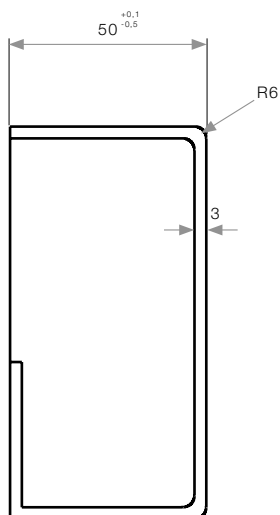
CODE	A
X3410	10
X3435	35
X3440	40
X3445	45
X3450	50

DOOR HANDLE FOR SLIDING DOOR X30...



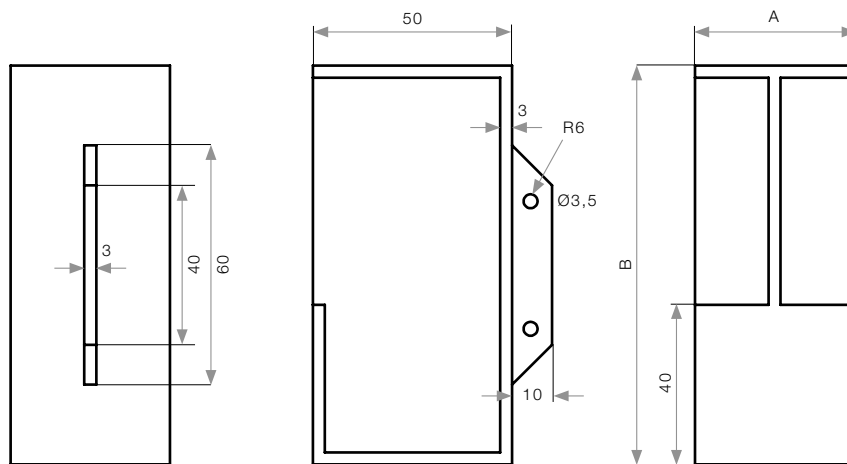
CODE	A	B
X3010	10	14
X3012	12	16
X3035	35	39
X3040	40	44
X3045	45	49
X3050	50	54
X3060	60	64

DOOR HANDLE FOR SLIDING DOOR X33...



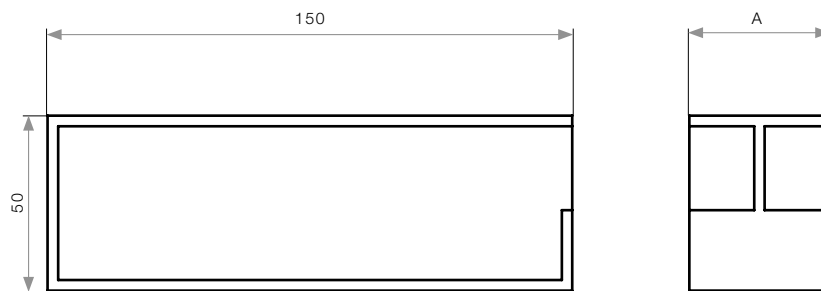
CODE	A
X3310	10
X3335	35
X3340	40
X3345	45
X3350	50

DOOR HANDLE FOR SLIDING DOOR X37...



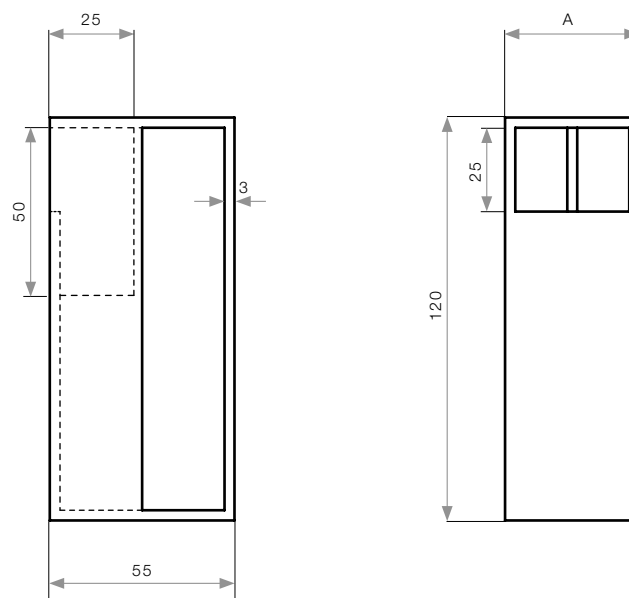
CODE	A	B
X3723	40	100
X3739	50	100
X3738	40	500

DOOR HANDLE FOR SLIDING DOOR X377...



CODE	A
X3772	40
X3778	50

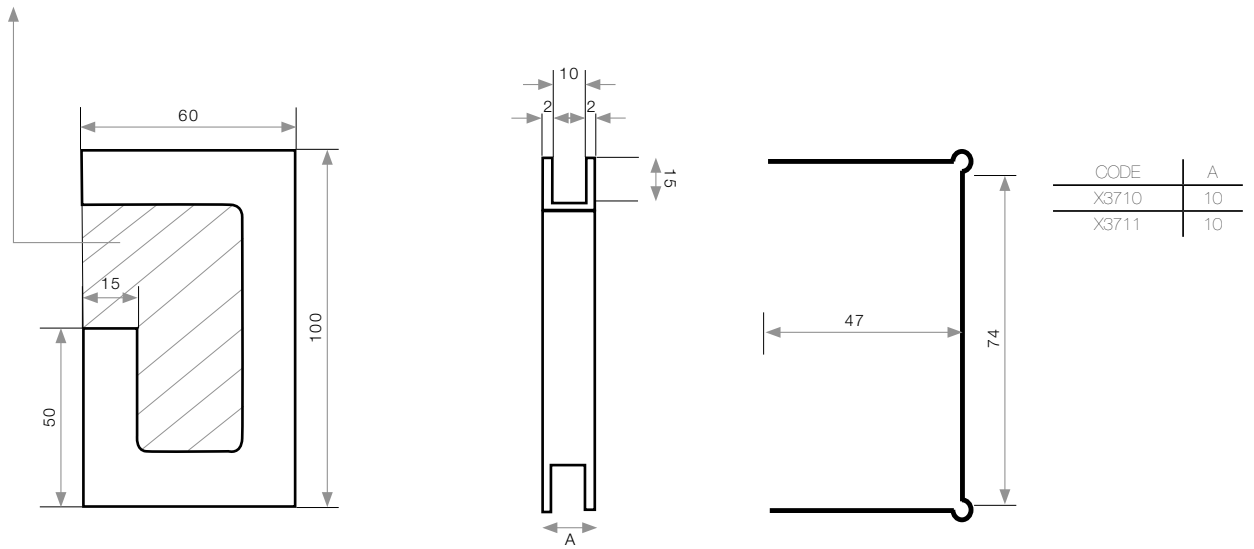
DOOR HANDLE FOR SLIDING DOOR X370...



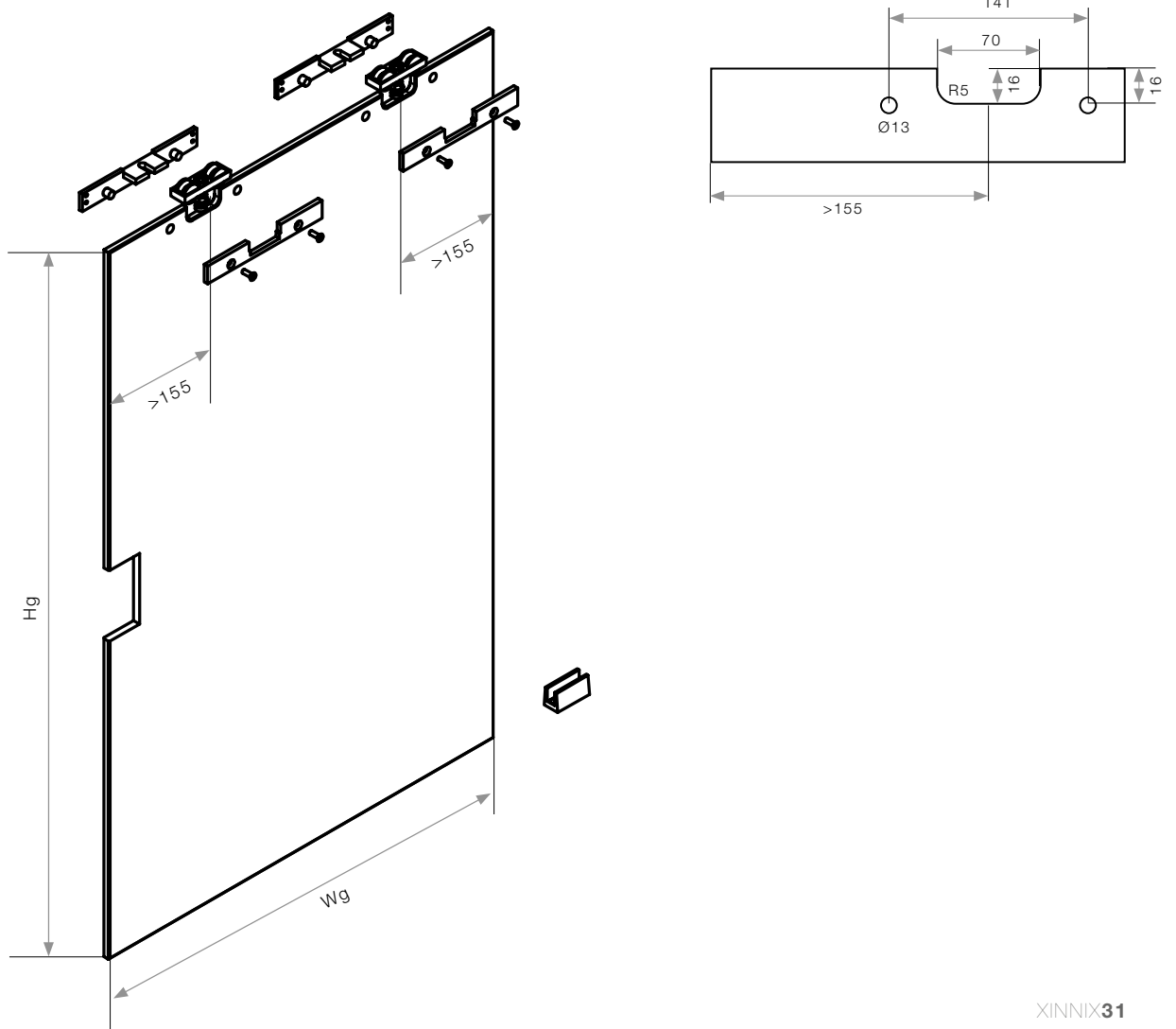
CODE	A
X3703	40
X3704	43
X3705	50

DOOR HANDLE FOR SLIDING DOOR X371...

Available in an open(X3710) en closed(X3711) version.



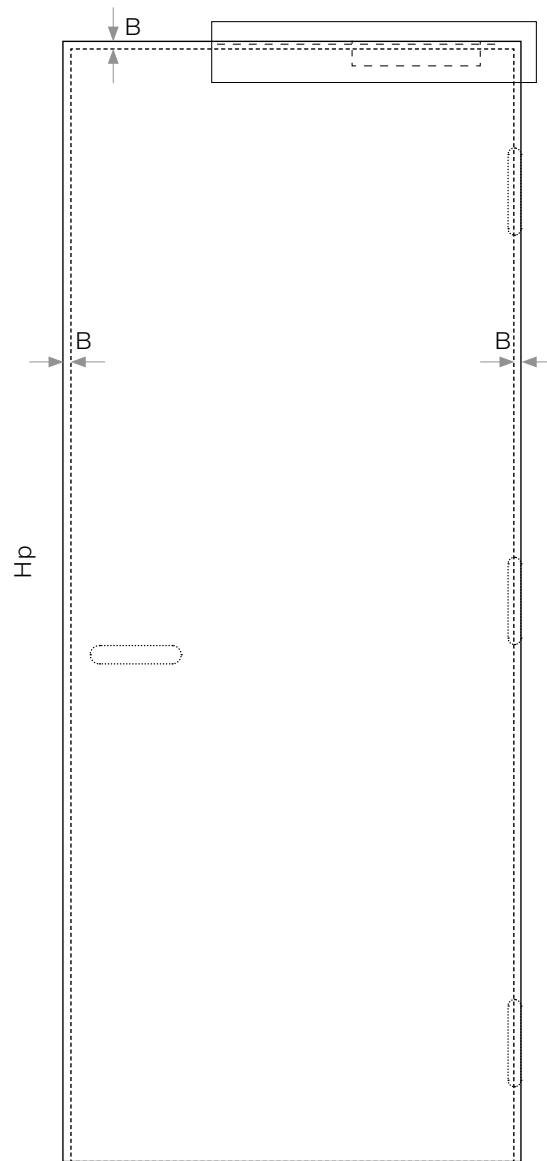
CLAMPS FOR GLASS X5100.GLC120



INTEGRATED DOOR CLOSER FOR DOOR PANEL EU RIGHT
 GEZE BOXER 2-4/ DORMA ITS 96 EN 2-4

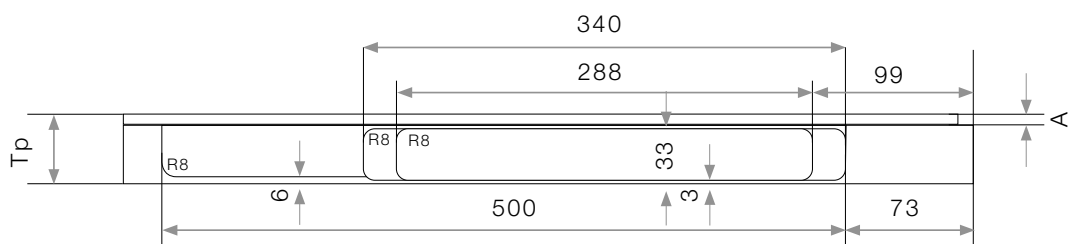
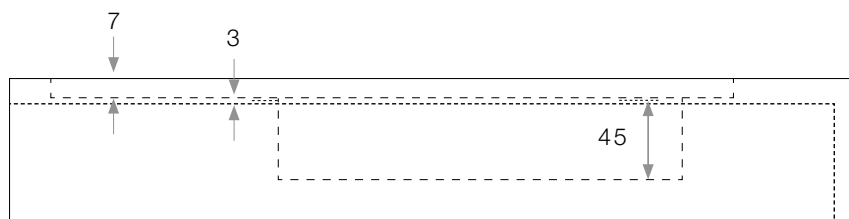


X1-X240-X245-X250



GEZE Boxer 2-4 STANDARD
 Boxer 12mm
 Mat.nr. 129213

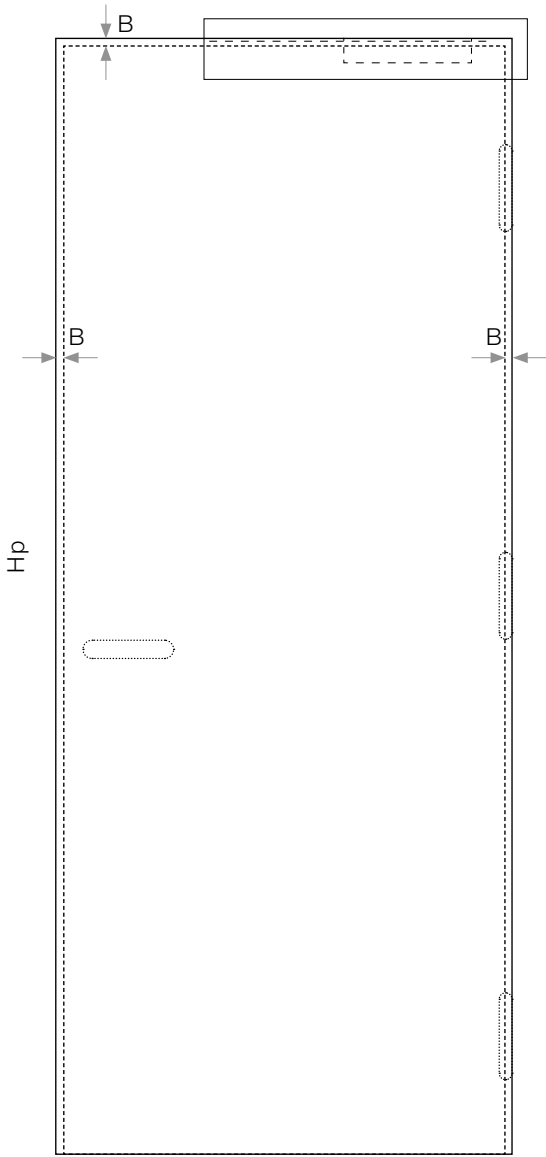
DORMA ITS 96 EN 2-4
 G 96 N20 K8/K12



INTEGRATED DOOR CLOSER FOR DOOR PANEL EU RIGHT
 GEZE BOXER 3-6/ DORMA ITS 96 EN 3-6

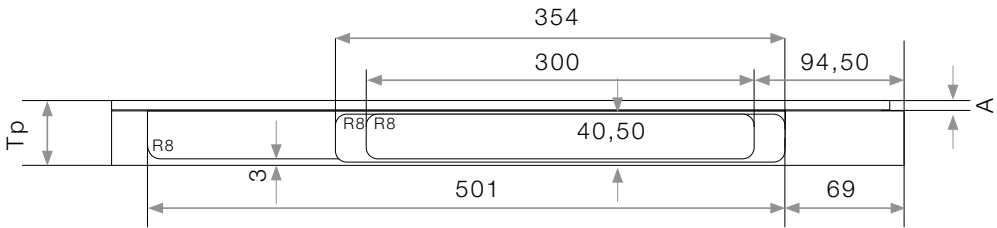
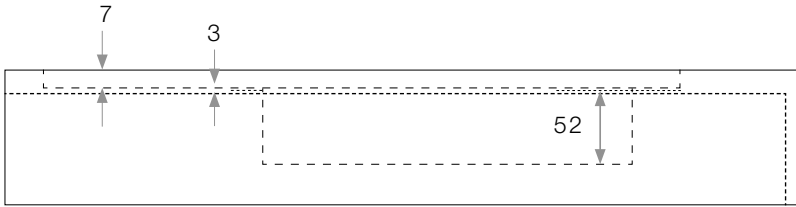


X250

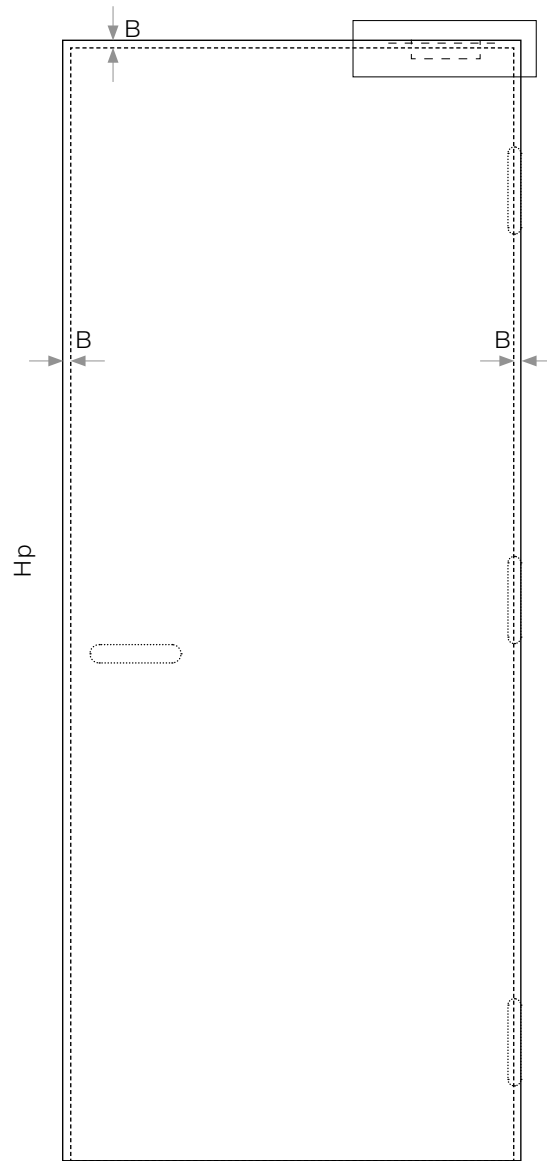


GEZE Boxer 3-6 STANDARD
 Boxer 12mm
 Mat.nr. 129213

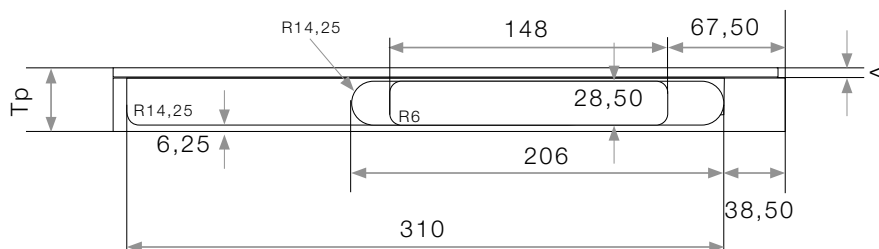
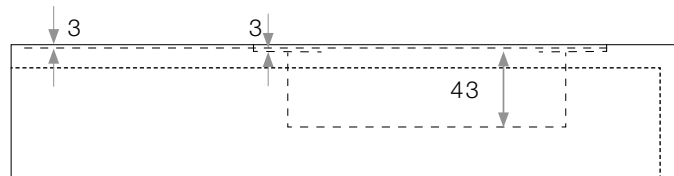
DORMA ITS 96 EN 3-6
 G 96 N20 K8/K12



INTEGRATED DOOR CLOSER FOR DOOR PANEL EU RIGHT
 GEZE ACTIVE STOP
 X1-X240-X245-X250



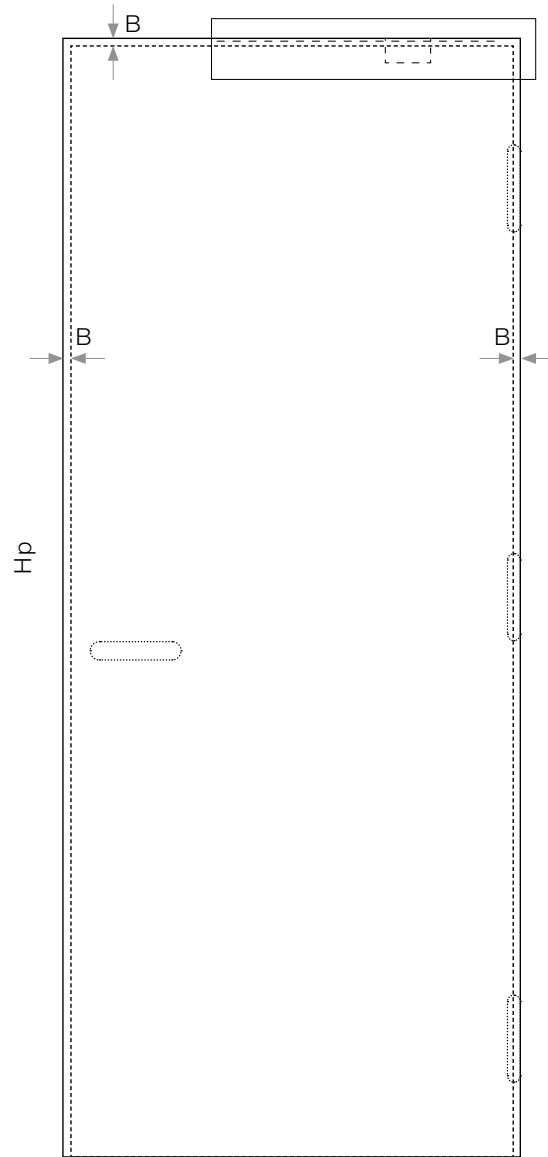
GEZE ACTIVE STOP
 Max. Weight Door panel 40
 kg



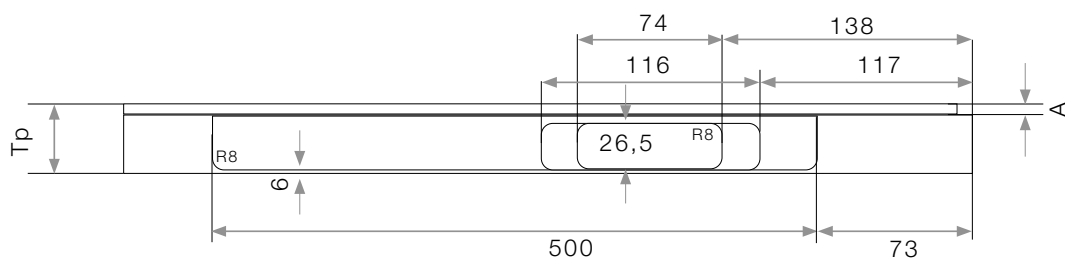
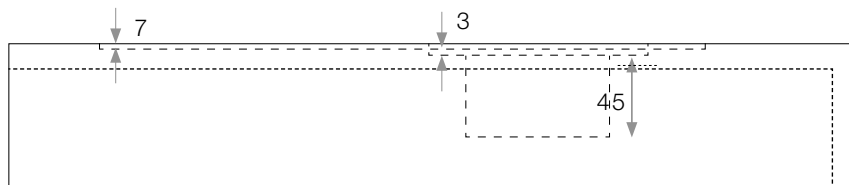
INTEGRATED DOOR CLOSER FOR DOOR PANEL EU RIGHT LIMIT STOP



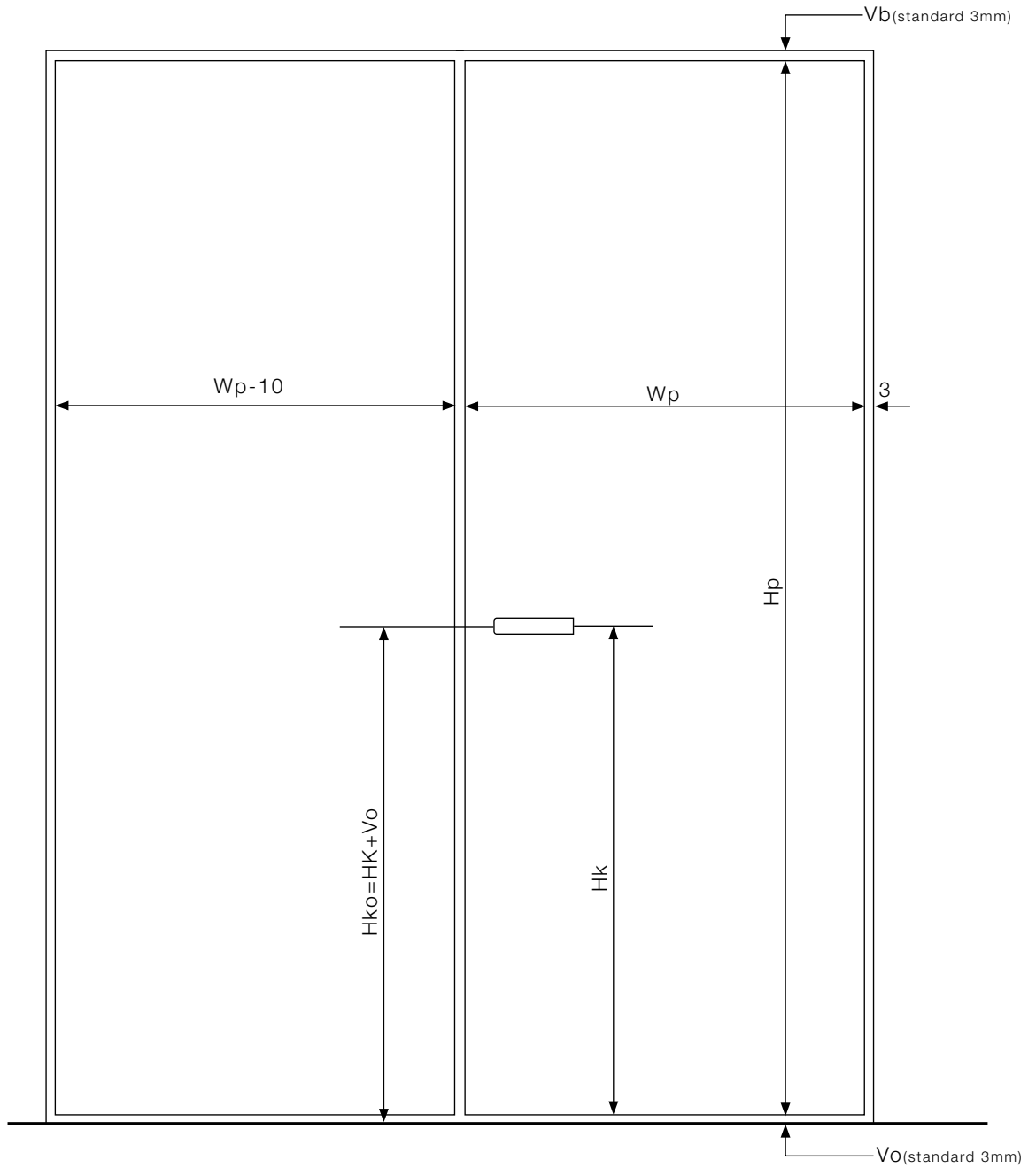
X1-X240-X245-X250



LIMIT STOP
Fits into milling:
GEZE Boxer 2-4 STANDARD
DORMA ITS 96 EN 2-4
G 96 N20 K8/K12
Boxer 12mm



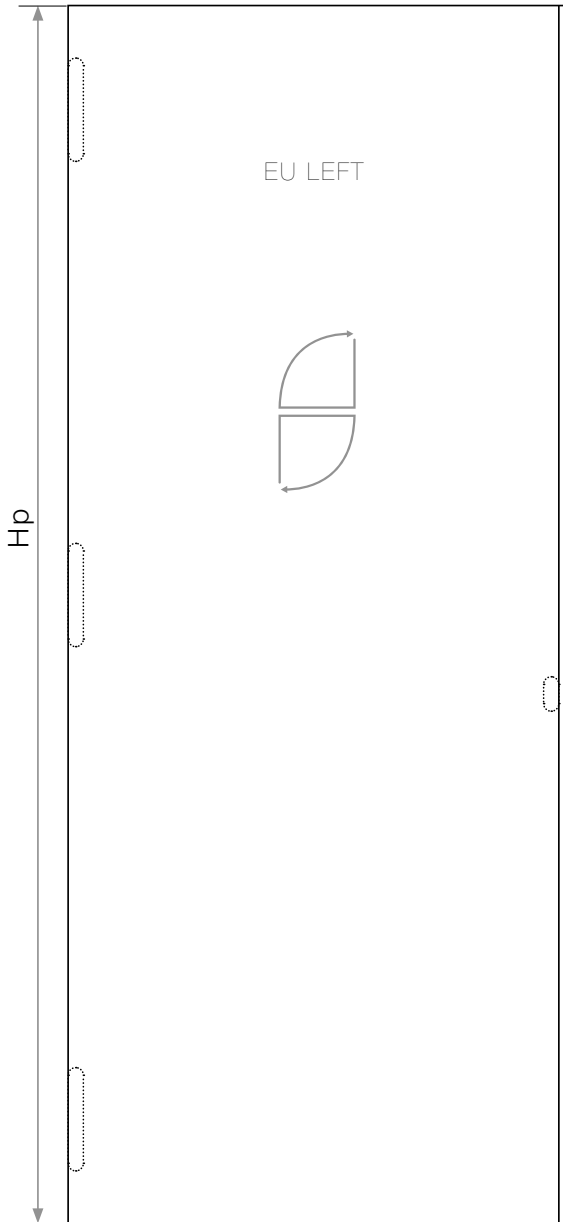
GENERAL VIEW DOUBLE DOOR EU



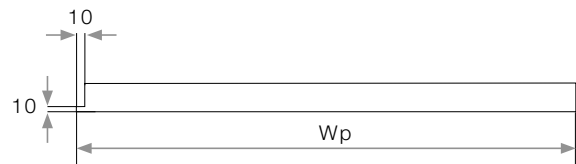
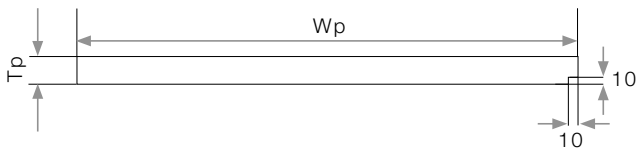
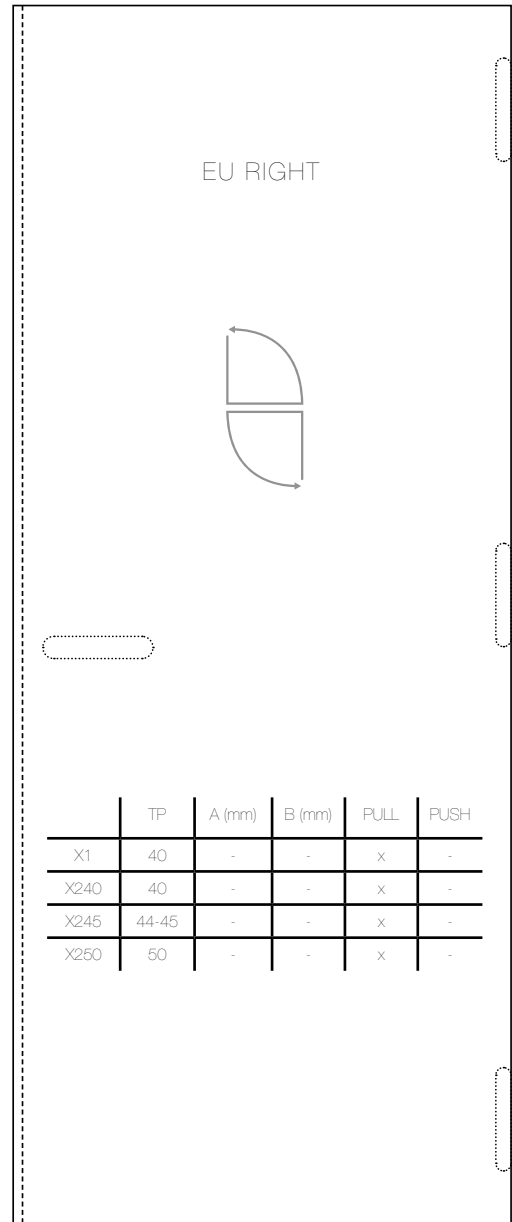
REBATES

DOOR **TYPE A** EU LEFT/RIGHT

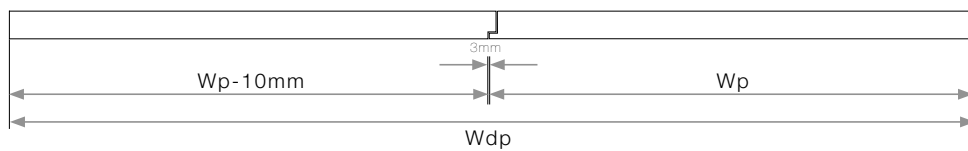
PASSIVE DOOR LEAF



ACTIVE DOOR LEAF

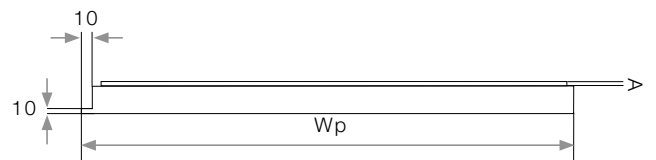
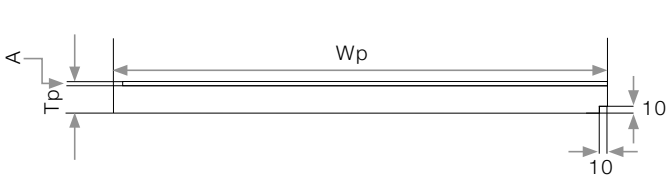
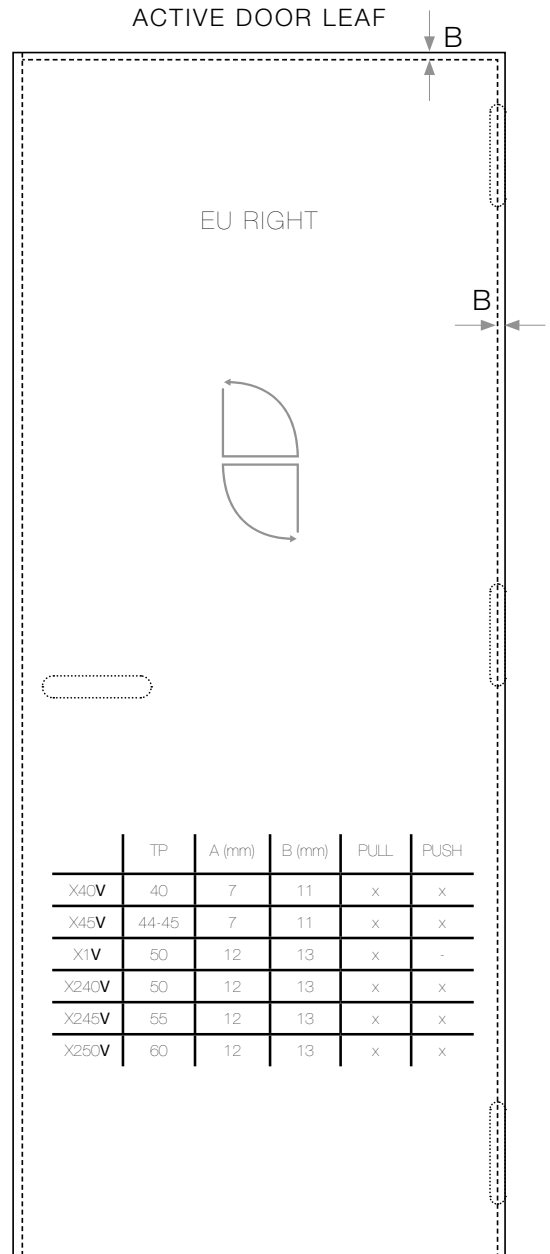
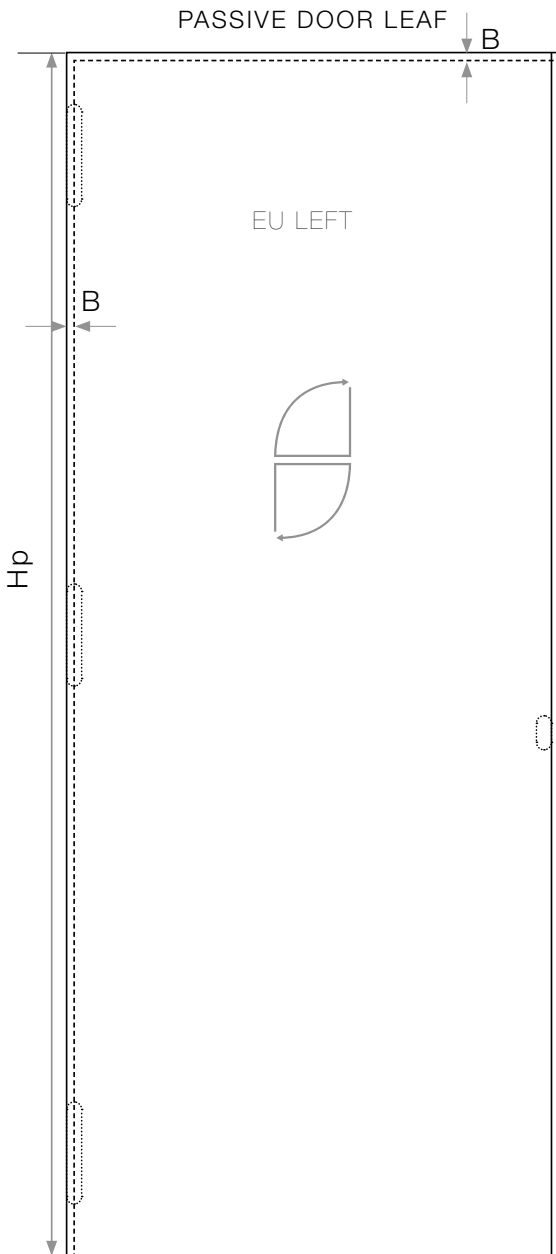


Formula: $W_p = (W_{dp} + 7\text{mm}) / 2$

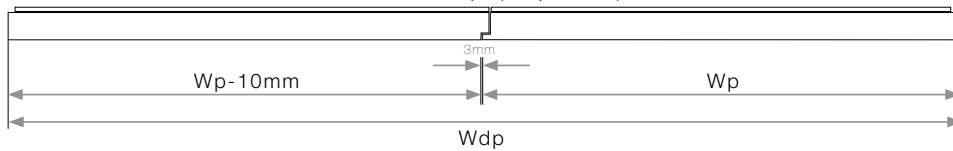


REBATES

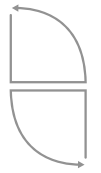
DOOR TYPE B EU LEFT/RIGHT



Formula: $Wp = (Wdp + 7mm) / 2$



XINNIX LOCK FOR DOUBLE DOOR ACTIVE PANEL EU RIGHT



□

	LOCK	Y: 8mm
🔑	XA-D70BB.CS	90(standard)
🔑	XA-D73WC.CS	95(in option)
🔑	XA-D78PZ.CS	85(in option)

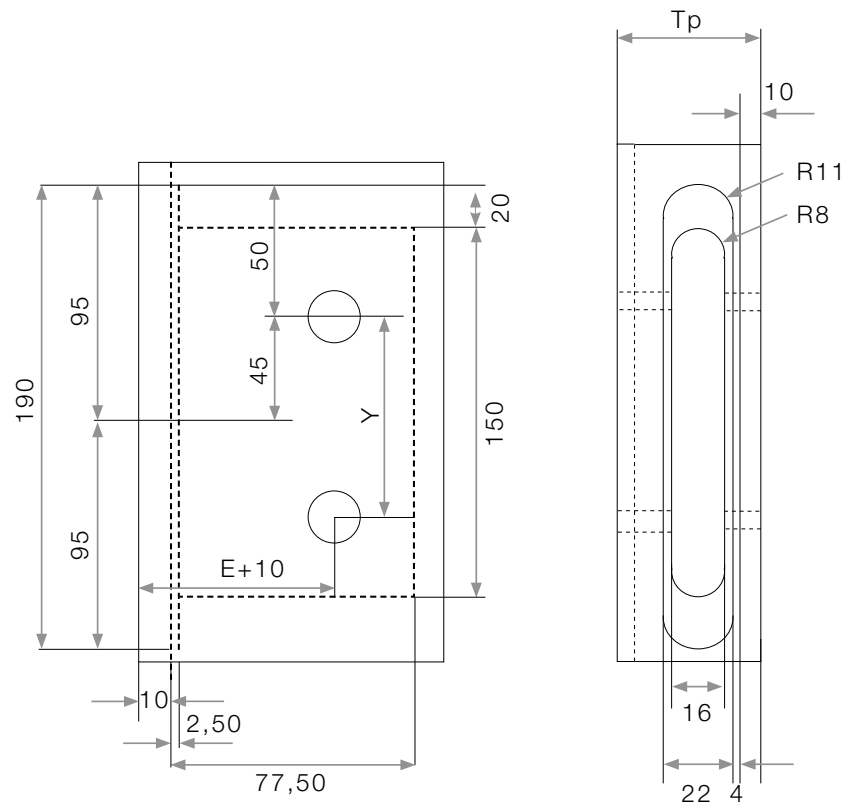
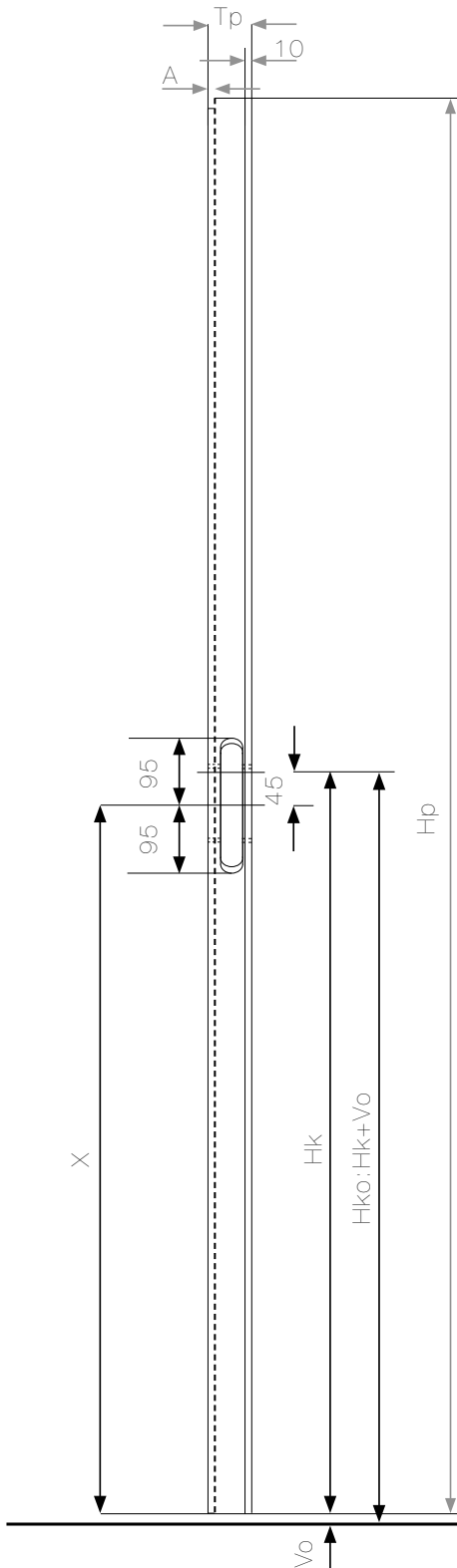
E=50

Standard $V_o=3\text{mm}$

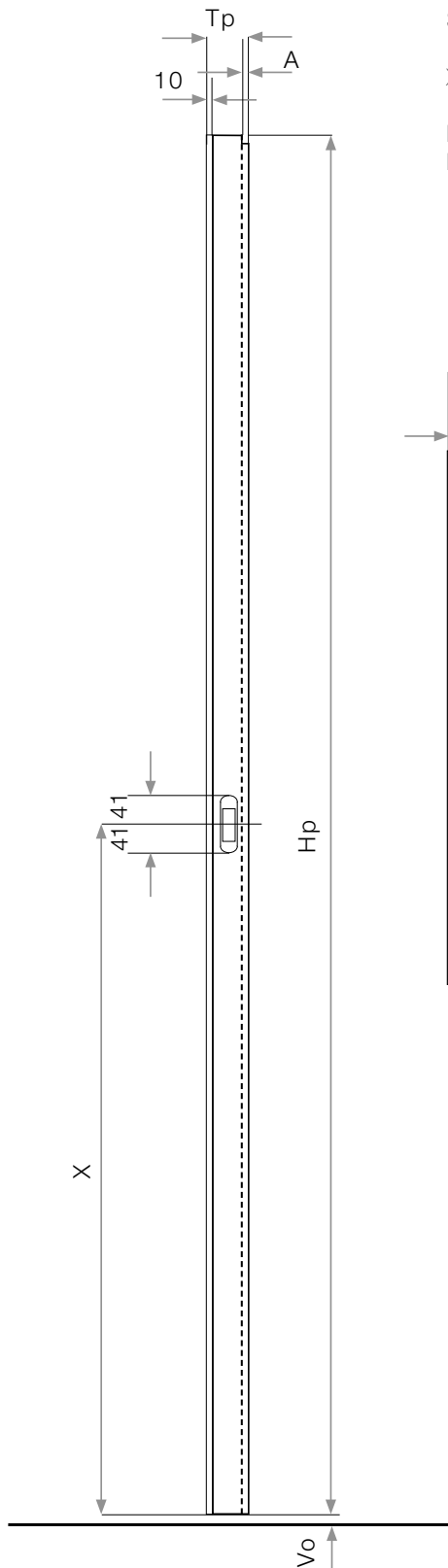
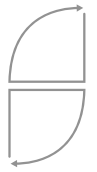
X is depending on H_k (height handle on door)

$H_k=X+45\text{mm}$ (height handle on door)

$H_{ko}=H_k+V_o$ (height floor-height handle)



COUNTERSTRIKE FOR XINNIX LOCKS FOR DOUBLE DOOR PASSIVE PANEL EU LEFT

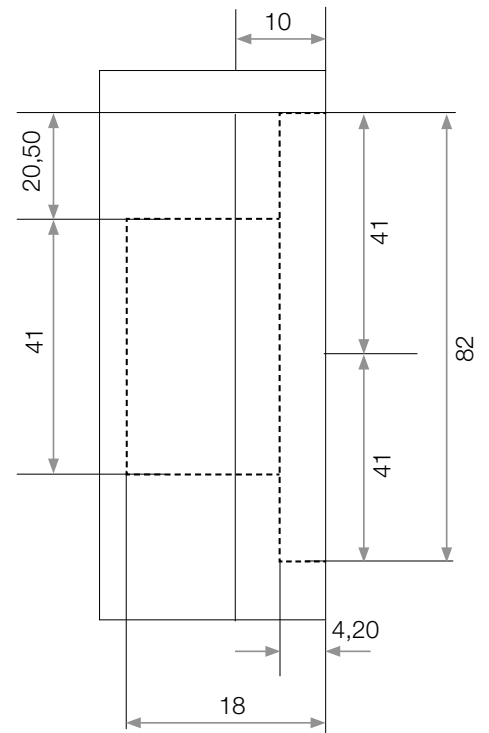
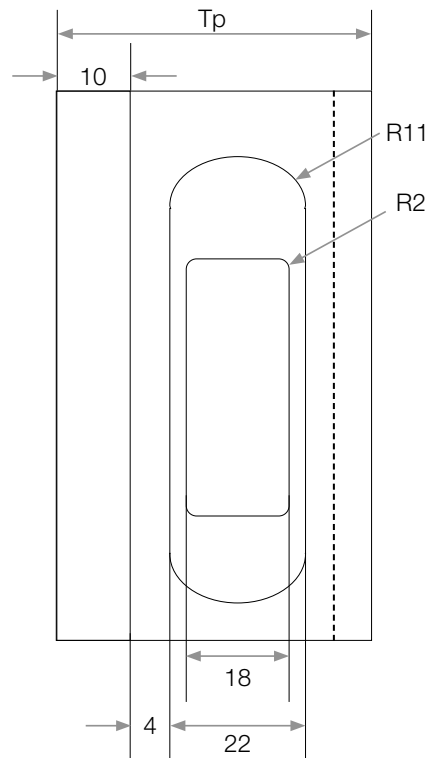


Standard $V_o=3\text{mm}$

X is depending on H_k (height handle on door)

$H_k=X+45\text{mm}$ (height handle on door)

$H_{k0}=H_k+V_o$ (height floor-height handle)



DIN LOCK FOR DOUBLE DOOR

ACTIVE PANEL EU RIGHT



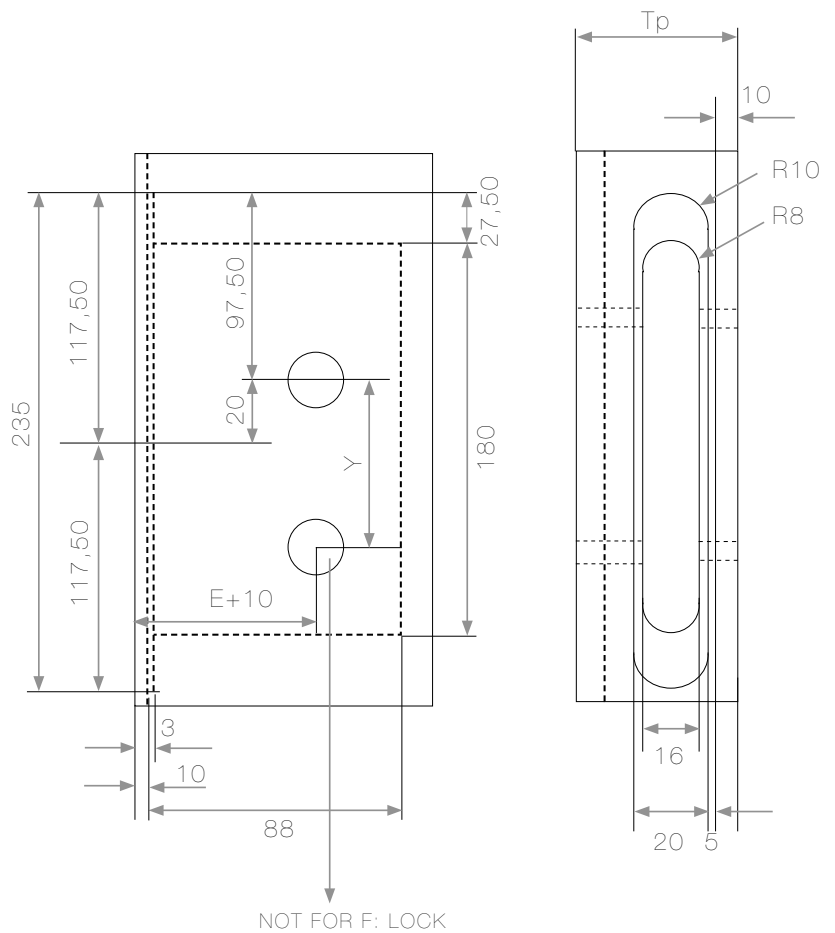
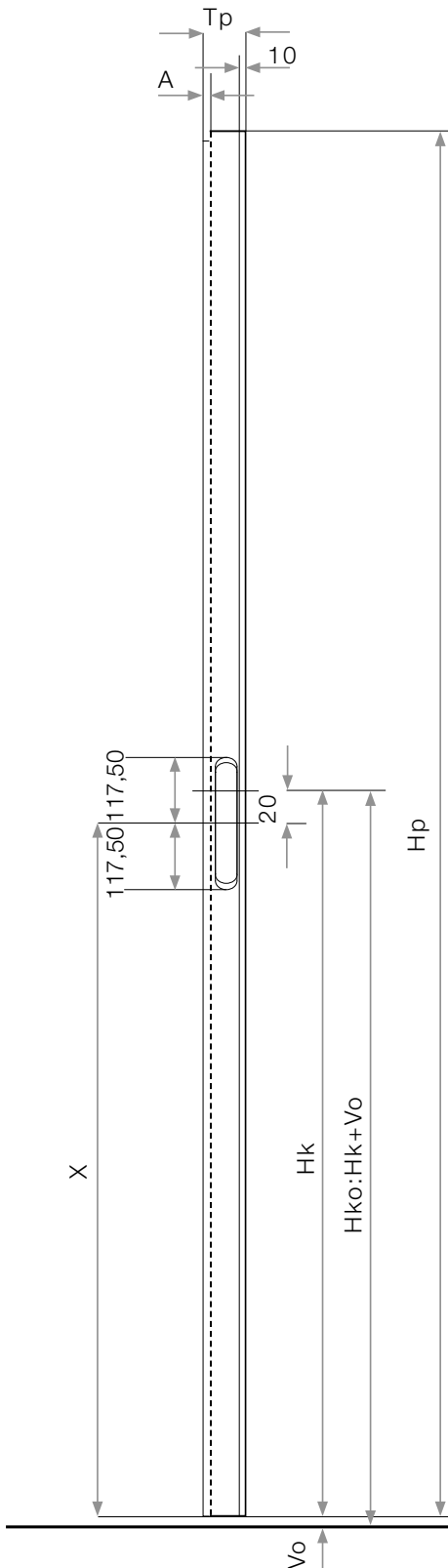
Standard $V_o=3\text{mm}$
 Standard $X=1030\text{mm}$

$H_k=X+20\text{mm}$ (height handle on door)
 $H_{ko}=H_k+V_o$ (height floor-height handle)

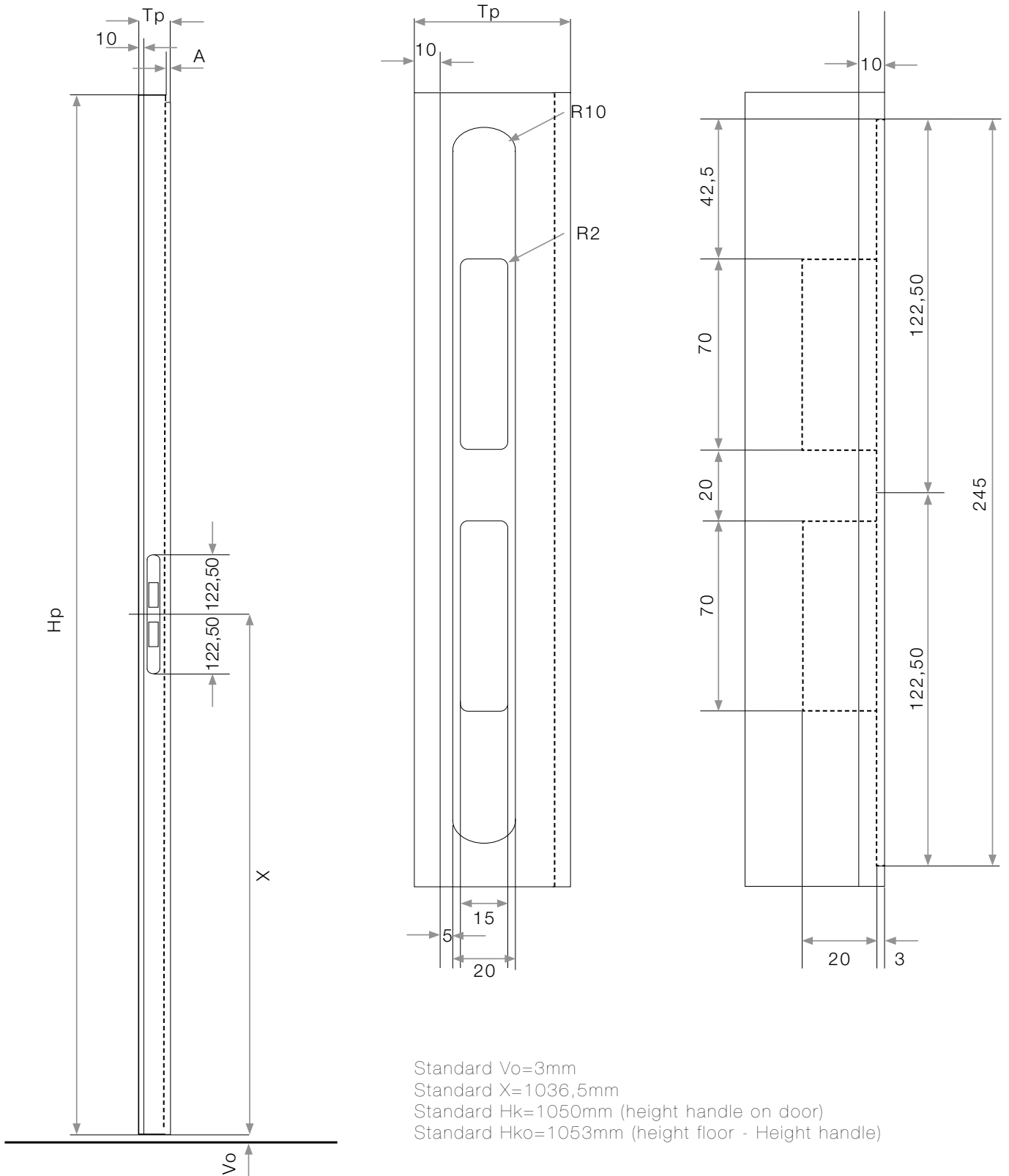
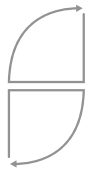
	DIN LOCK	Y: □8mm
K	F	-
F	BB	72
V	WC	78
	PZ	72

	DIN LOCK	Y: □8mm
X	R15	72
N	R17	78
N	R19	72
N	R35	72
X	R37	78
X	R59	72

E=55

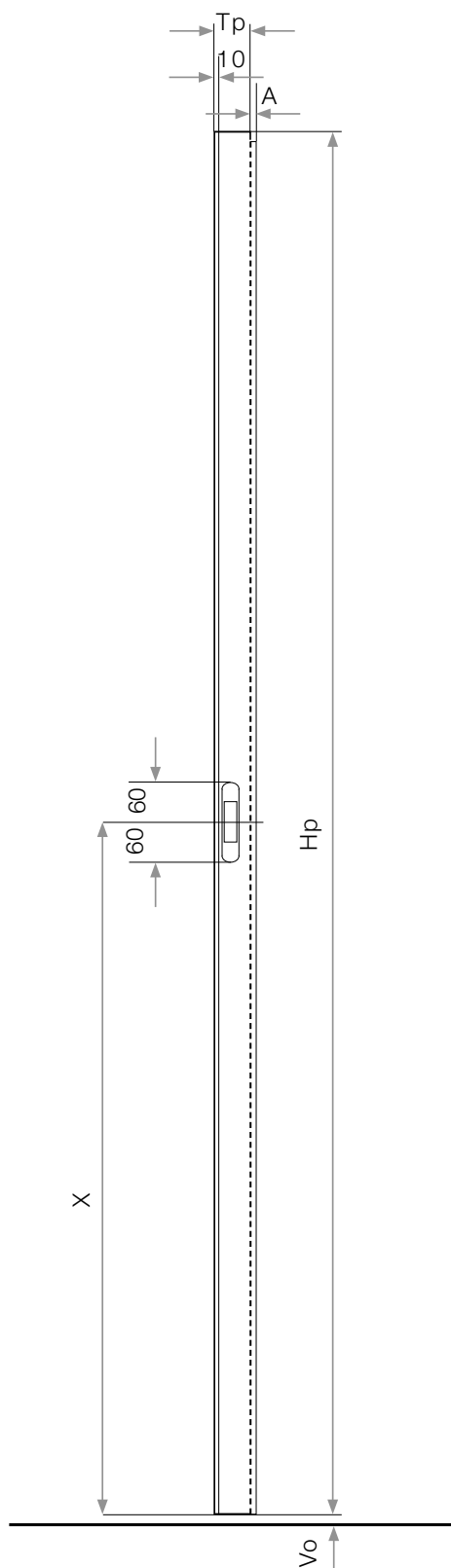


COUNTERSTRIKE FOR DIN Kfv BB - WC -PZ LOCKS FOR DOUBLE DOOR PASSIVE PANEL EU LEFT

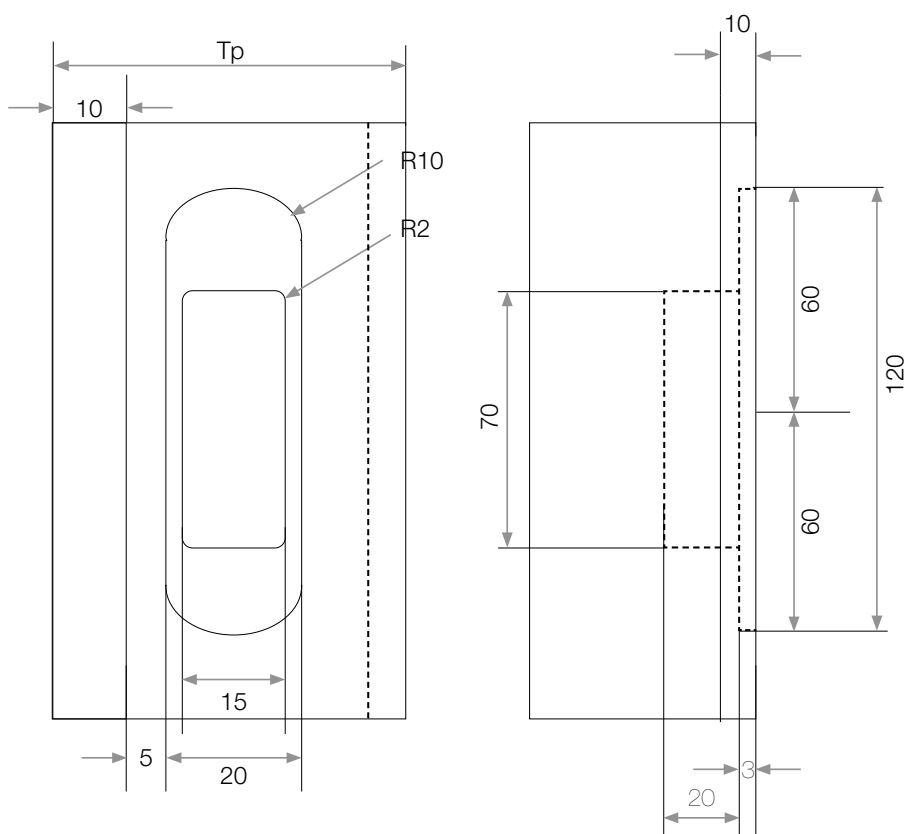


Standard Vo=3mm
 Standard X=1036,5mm
 Standard Hk=1050mm (height handle on door)
 Standard Hko=1053mm (height floor - Height handle)

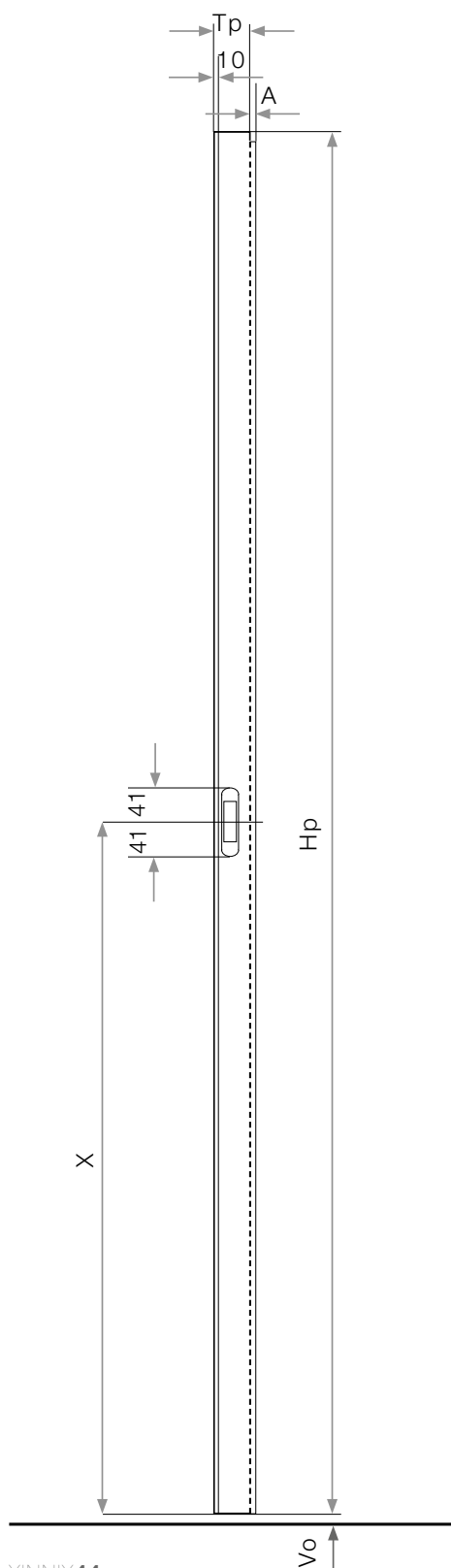
COUNTERSTRIKE FOR **DIN KfV F LOCK** FOR DOUBLE DOOR PASSIVE PANEL EU LEFT



Standard $V_o=3\text{mm}$
 Standard $X=1081,5\text{mm}$
 Standard $H_k=1050\text{mm}$ (height handle on door)
 Standard $H_{ko}=1053\text{mm}$ (height floor - height handle)

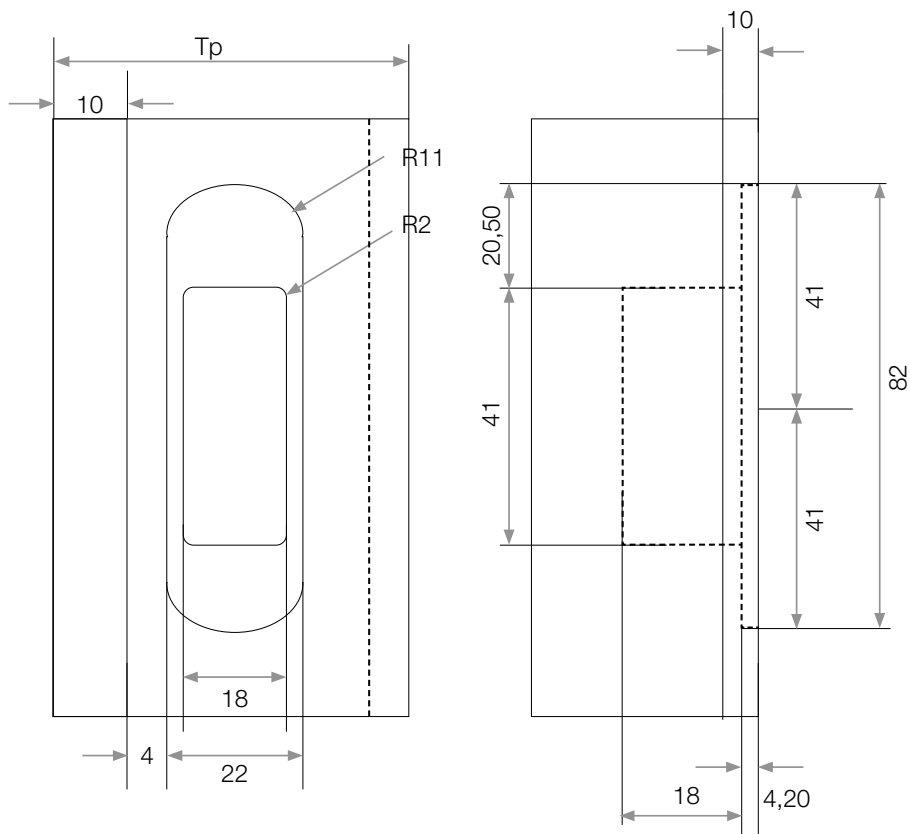


COUNTERSTRIKE FOR **DIN XINNIX LOCK R15 - R17 - R19** FOR DOUBLE DOOR PASSIVE PANEL EU LEFT

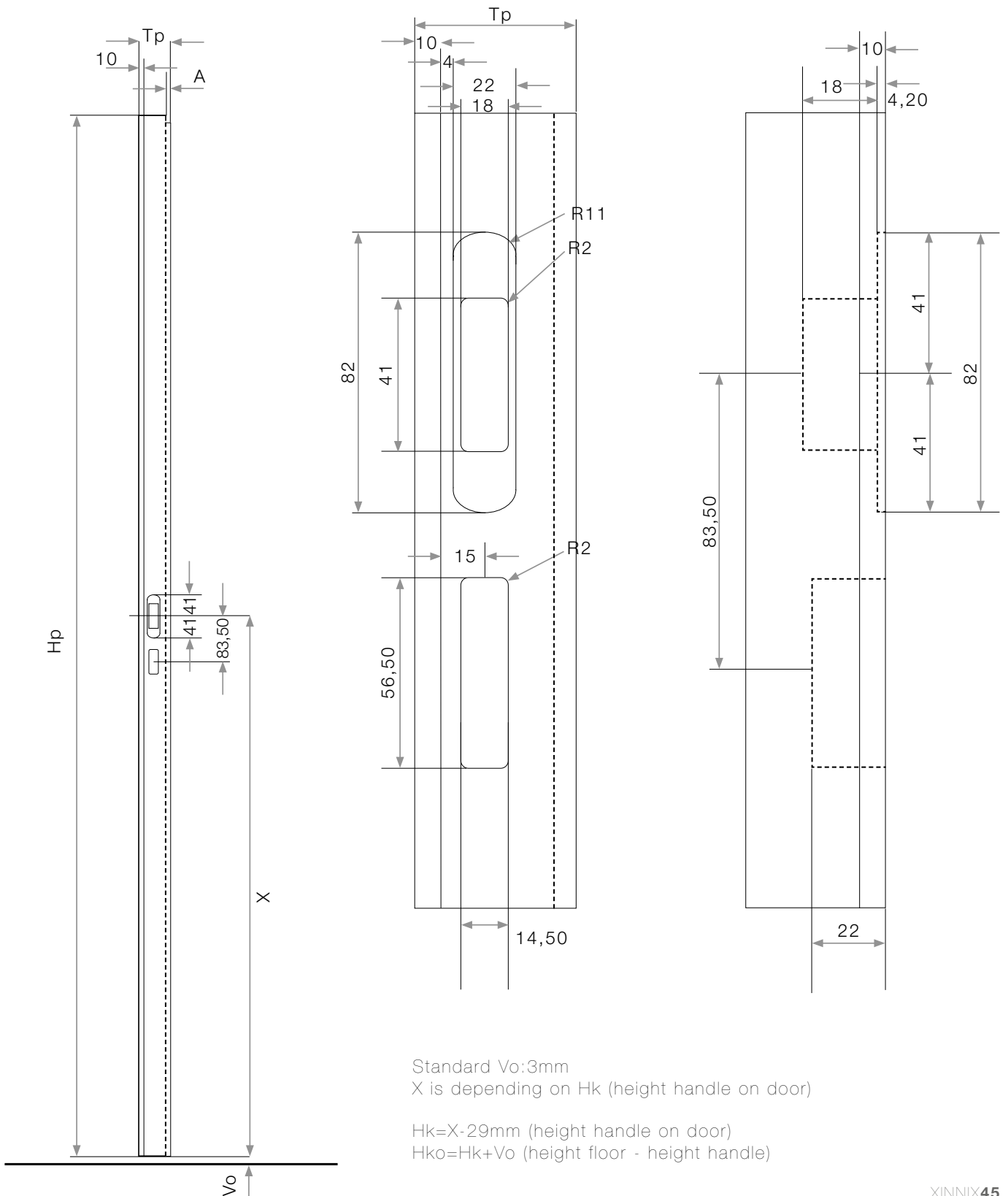
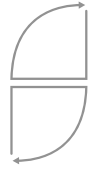


Standard $V_o=3\text{mm}$
 X is depending on H_k (height handle on door)

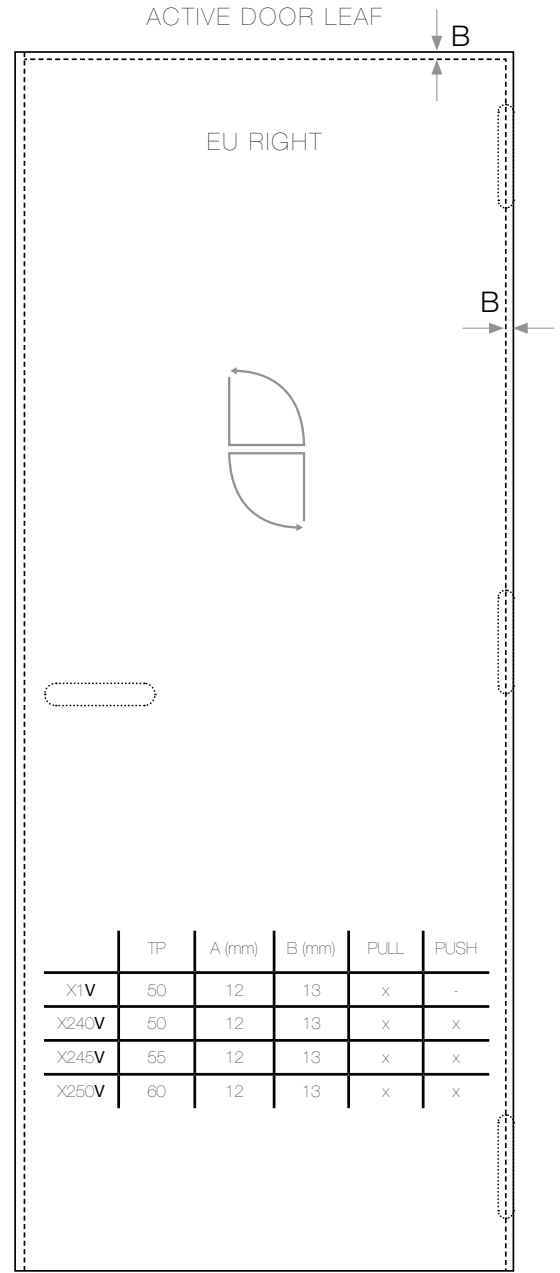
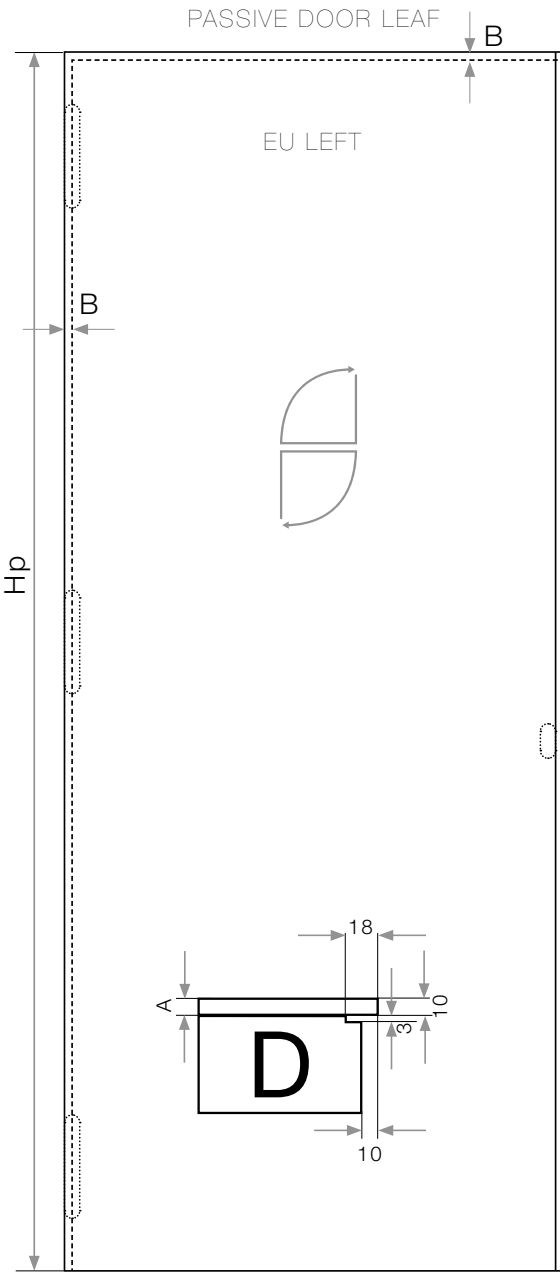
$H_k=X-29\text{mm}$ (height handle on door)
 $H_{ko}=H_k+V_o$ (height floor - height handle)



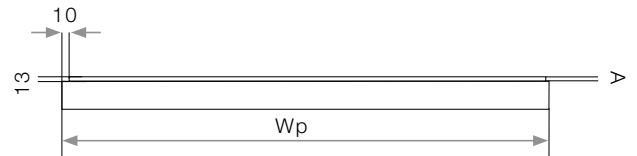
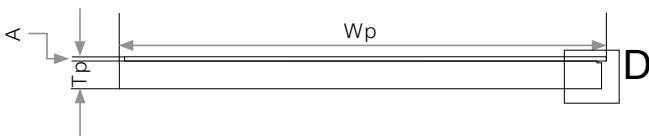
COUNTERSTRIKE FOR **DIN XINNIX LOCK R35 - R37 - R59** FOR DOUBLE DOOR PASSIVE PANEL EU LEFT



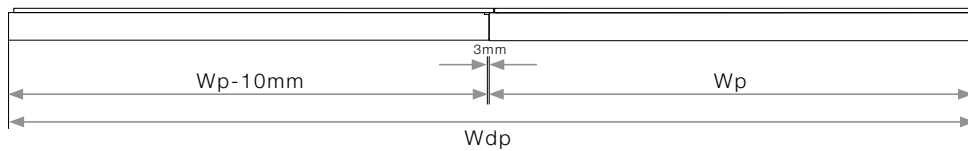
PUSH&GO FOR DOUBLE DOOR

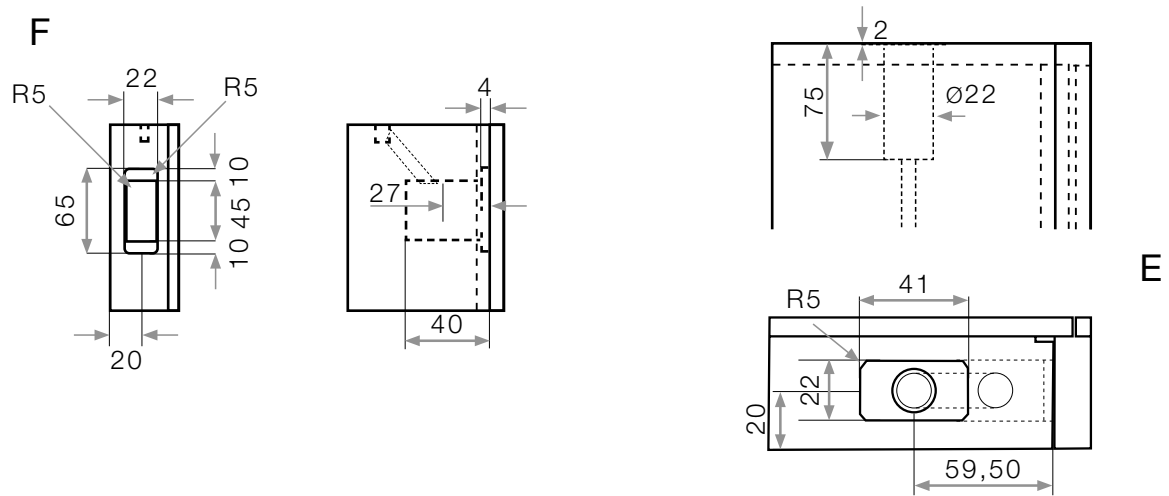
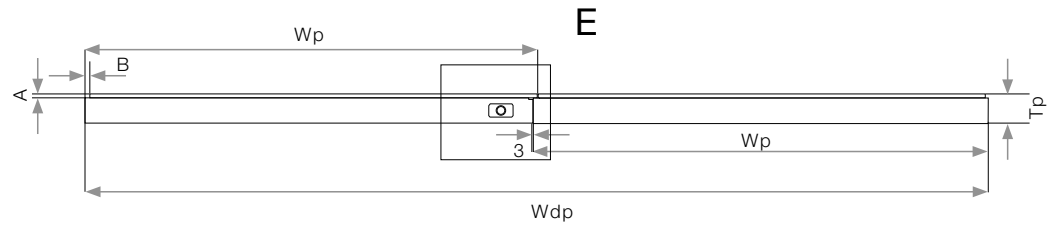
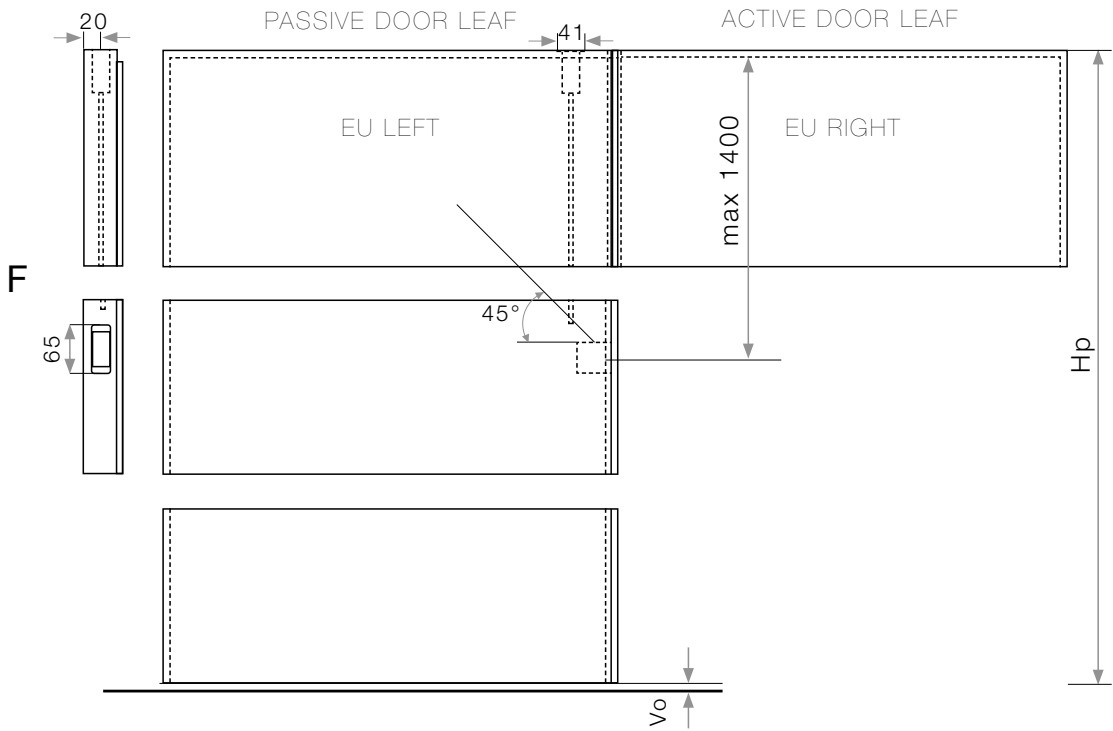


	TP	A (mm)	B (mm)	PULL	PUSH
X1V	50	12	13	x	-
X240V	50	12	13	x	x
X245V	55	12	13	x	x
X250V	60	12	13	x	x



Formula: $Wp = (Wdp + 7mm) / 2$







Generaal Deprezstraat 2/010
8530 Harelbeke - Belgium

Tel.: +32 (0) 56 73 50 00
Fax: +32 (0) 56 72 02 70

info@xinnix.eu
www.xinnix.eu